

400 x 8 HUBS

PART NO.	DESCRIPTION
HUB - 4001	400 x 8 Tire, Hub and Bearing
HUB - S402	Spindle
HUB - B403	Bearing - LM44643
HUB - R404	Race - BM44610
HUB - S405	Seal
HUB - S406	Seal - HD203025
HUB - S407	Seal - CR HD12428
HUB - C408	Hub Cap
HUB - N409	Spindle Nut

4 HOLE HUBS

HUB - 0633	Q633 Hub Assembly - 727
HUB - H633	Q633d Hub
HUB - B634	Bearing - LM67048
HUB - B635	Bearing - LM11949
HUB - R636	Race - LM67010
HUB - R637	Race - LM11910
HUB - S638	Seal - CR14975
HUB - D639	Dust Cap
HUB - B640	Stud Bolt
HUB - N641	Spindle Nut
HUB - W642	Spindle Washer
HUB - S643	Spindle

HUB - 0669	Q669 Hub Assembly (12 - 4)
HUB - H669	Q669 Hub - 104064
HUB - B634	Bearing - LM67048
HUB - B635	Bearing - LM11949
HUB - R636	Race - LM67010
HUB - R637	Race - LM11910
HUB - S674	Seal - CR16069
HUB - D675	Dust Cap
HUB - B676	Stud Bolt
HUB - N677	Spindle Nut
HUB - W678	Spindle Washer
HUB - S679	Spindle (1.625 x 10.38)

SAM STEVENS INC.2101 Lubbock Hwy.
Lamesa, Texas 79331

MANUFACTURING OF FINE QUALITY IMPLEMENT

Phone: 806-872-8365

Fax: 806-872-8368

HUBS**5 HOLE HUBS**

PART NO.	DESCRIPTION
HUB - 0719	Q719 Hub Assembly
HUB - H719	Q719 Hub
HUB - B720	Bearing - LM48548
HUB - B634	Bearing - LM67048
HUB - R722	Race - LM48510
HUB - R636	Race - LM67010
HUB - S724	Seal - CR15190
HUB - D725	Dust Cap
HUB - B726	Lug Bolt
HUB - N727	Lug Nut
HUB - S728	Spindle Nut
HUB - S729	Spindle Washer
HUB - S730	Spindle (1.75 x 11.5)

HUB - 0736	Q736 Hub Assembly
HUB - H736	736 HUB
HUB - B634	Bearing - LM67048
HUB - B635	Bearing - LM11949
HUB - R636	Race - LM67010
HUB - R637	Race - LM11910
HUB - S638	Seal - CR14975
HUB - D742	Dust Cap
HUB - B743	Lug Bolt
HUB - N744	Lug Nut
HUB - N745	Spindle Nut
HUB - W746	Spindle Washer
HUB - S747	Spindle

HUB - 0826	826 Hub Assembly
HUB - H826	Hub
HUB - B634	Bearing - LM67048
HUB - B635	Bearing - LM11949
HUB - R636	Race - LM67010
HUB - R637	Race - LM11910
HUB - S831	Seal - 14675
HUB - D832	Dust Cap

SAM STEVENS INC.2101 Lubbock Hwy.
Lamesa, Texas 79331

MANUFACTURING OF FINE QUALITY IMPLEMENT

Phone: 806-872-8365

Fax: 806-872-8368

HUBS**6 HOLE HUBS**

PART NO.	DESCRIPTION
HUB - 0709	Q709 Hub Assembly
HUB - H709	Q709 Hub
HUB - B720	Bearing - LM48548
HUB - B634	Bearing - LM67048
HUB - R722	Race - LM48510
HUB - R636	Race - LM67010
HUB - S724	Seal - CR15190
HUB - D715	Dust Cap
HUB - B716	Stud Bolt
HUB - N717	Spindle Nut
HUB - W718	Spindle Washer
HUB - S730	Spindle (1.75 x 11.5)

HUB - 0783	Q783 / Q797 Hub Assembly
HUB - H783	Q783 / Q797 Hub
HUB - B784	Bearing - LM501349
HUB - B634	Bearing - LM67048
HUB - R786	Race - LM501310
HUB - R636	Race - LM67010
HUB - S788	Seal - CR18123
HUB - D789	Dust Cap
HUB - B790	Stud Bolt
HUB - N791	Spindle Nut
HUB - W792	Spindle Washer
HUB - S793	Spindle (1.75 x 14)

HUB - 0793	793 Hub Assembly
HUB - H793	793 Hub
HUB - B634	Bearing - LM67048
HUB - B635	Bearing - LM11949
HUB - R636	Race - LM67010
HUB - R637	Race - LM11910
HUB - S798	Seal - 13711
HUB - S799	Spindle - 0280705

SAM STEVENS INC.2101 Lubbock Hwy.
Lamesa, Texas 79331

MANUFACTURING OF FINE QUALITY IMPLEMENT

Phone: 806-872-8365

Fax: 806-872-8368

HUBS**6 HOLE HUBS**

PART NO.	DESCRIPTION
HUB - 0888	Q888 Hub Assembly
HUB - H888	Q888 Hub
HUB - B889	Bearing - JL69349
HUB - B634	Bearing - LM67048
HUB - R891	Race - JL69310
HUB - R636	Race - LM67010
HUB - S893	Seal - CR16689 / CR16284
HUB - C894	Dust Cap
HUB - B895	Stud Bolt
HUB - N896	Spindle Nut
HUB - W897	Spindle Washer
HUB - S898	Spindle (1.74 x 12.5)
HUB - S899	Spindle (2" x 14")
HUB - S900	Spindle (1.75 x 8)
HUB - S901	Spindle (1.75 x 16)

HUB - 0810	Q810 / Q777 Hub Assembly
HUB - H810	Q810 / Q777 Hub
HUB - B811	Bearing - LM29749
HUB - B634	Bearing - LM67048
HUB - R813	Race - LM29710
HUB - R636	Race - LM67010
HUB - S815	Seal - CR16289
HUB - D816	Dust Cap
HUB - B817	Stud Bolt
HUB - B818	Spindle Nut
HUB - B819	Spindle Washer
HUB - S730	Spindle (1.75 x 11.5)

WHL - W101	4 x 12 Wheel WITHOUT Bolts, ONLY
WHL - T102	Tire, ONLY

HGW - S731	CR16069/N204017 - Seal for Hamby Gagewheel
------------	--

SAM STEVENS INC.

2101 Lubbock Hwy.
Lamesa, Texas 79331

MANUFACTURING OF FINE QUALITY IMPLEMENT

Phone: 806-872-8365

Fax: 806-872-8368

WHEEL PACKER HUB

8 HOLE HUB

PART NO.	DESCRIPTION
WPK - 805	8 Hub - 60 - 8 Hub
WPK - 806	Spindle Assembly 60 - 8 (2-3/4 x 14")
WKP - 807	Cap
WKP - 808	Bearing - JLM506849
WKP - 809	Bearing - LM501349
WKP - 810	Race - JLM506810
WKP - 811	Race - LM501310
WKP - 812	Trans Seal - CR27394 (27372VHY)

PEANUT WAGON HUBS

10 HOLE HUB

PART NO.	DESCRIPTION
HUB - 0881	881 Hub Assembly
HUB - S882	Spindle (4-1/2 x 26-1/2)
HUB - R883	Race - HM218210 (9103841)
HUB - R884	Race - HM212011 (9103841)
HUB - B885	Bearing - HM218248 (9103461)
HUB - B886	Bearing - HM212049 (9103471)
HUB - C887	Cap - 9099211
HUB - S888	Seal - TCM436DS (SA) (9069791)

SAM STEVENS INC.

2101 Lubbock Hwy.
Lamesa, Texas 79331

MANUFACTURING OF FINE QUALITY IMPLEMENT

Phone: 806-872-8365

Fax: 806-872-8368

CTU HUBS

for

YEAR 1994 TO 2001

10 HOLE HUB

PART NO.	DESCRIPTION
CTU - 001	871 Hub (2891410)
CTU - 002	Seal - CR30087
CTU - 003	Cap
CTU - 004	Bearing - 39585
CTU - 005	Timkin - #460
CTU - 006	Spindle - (3-1/8 x 17-3/8)
CTU - 007	Hex Slot Nut
CTU - 008	Washer
CTU - 009	Race - #453
CTU - 010	Race - 39520
CTU - 011	3/4" Lug Bolt
CTU - 012	3/4" Flange Nut

CTU HUBS

for

TZZ MODELS FROM LATE 2001 - CURRENT

10 HOLE HUB

PART NO.	DESCRIPTION
CTU - 013	873 Hub, COMPLETE
CTU - 014	Race - 33462
CTU - 015	Race - 453
CTU - 016	Bearing - 33275
CTU - 005	Bearing - 460
CTU - 018	Seal - CR 33772
CTU - 017	Spindle (3-3/8 x 17-3/8)
CTU - 016	Nut Flange (9135711)

SAM STEVENS INC.

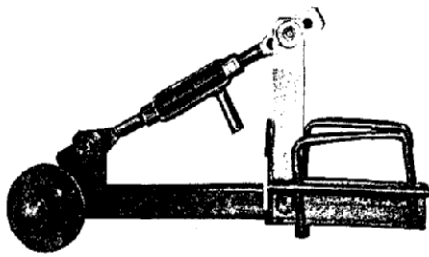
2101 Lubbock Hwy.
Lamesa, Texas 79331

MANUFACTURING OF FINE QUALITY IMPLEMENT

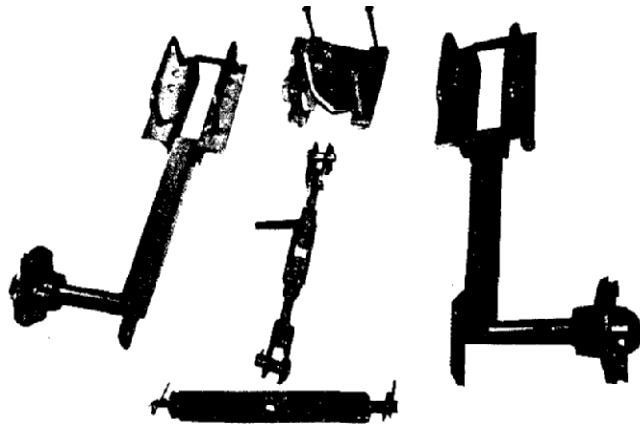
Phone: 806-872-8365

Fax: 806-872-8368

GAGEWHEELS



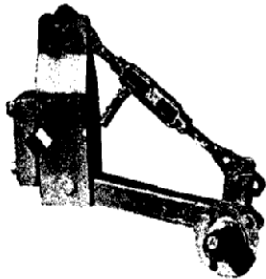
Single 4 hole hub for 4½ x 7½ bar



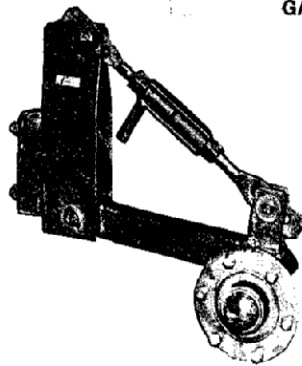
**DUAL EQUALIZER
GAUGE WHEELS**

Dual Gauge Wheels with equalizer bar comes with 1" turnbuckle for adjustment (standard 8" hydraulic cylinder can be used in place of turnbuckles). Stock sizes are for 40", 36", and 32" row spacing.

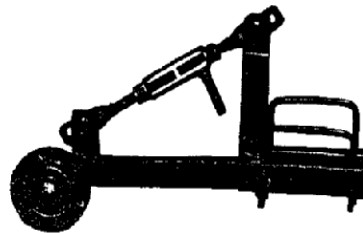
Specify Row Spacing When Ordering!



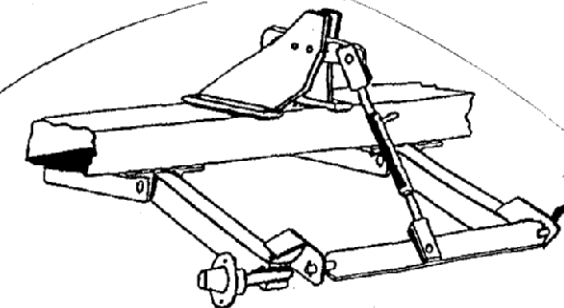
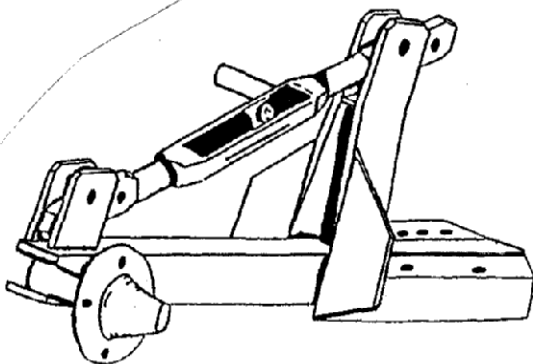
GAGE WHEELS



Single 6 hole hub for 2¼ inch bar



Single 6 hole hub for 4½ x 7½ bar



SAM STEVENS INC.

2101 Lubbock Hwy.
Lamesa, Texas 79331

MANUFACTURING OF FINE QUALITY IMPLEMENT

Phone: 806-872-8365

Fax: 806-872-8368

TOOL BAR TYPES

4" x 7"
4-1/2" x 7-1/2"

5" x 7"
7" X 7"

SPECIALTY TYPE GAGEWHEELS

PART NO.	DESCRIPTION	WEIGHT
GWS - 0200	Single Straight 1 x 3 x 30 Shank WITH 6 Hole Hub and Wheel	140 lbs.
GWS - 0201	Single Offset 1 x 3 x 30 Shank WITH 6 Hole Hub and Wheel	140 lbs.
DFM - 137	400 x 8 Marker Gagewheels WITH Clamps	

GAGE WHEELS

PART NO.	DESCRIPTION		WEIGHT
GWH - 219	Single 4 Hole Hub WITH 15"Rims	(<i>priced per pair</i>)	195 lbs.
GWH - 220	Single 4 Hole Hub WITH 15"Rims and Tires	(<i>priced per pair</i>)	
GWH - 221	Single 6 Hole Hub WITH 15" Rims	(<i>priced per pair</i>)	210 lbs.
GWH - 222	Single 6 Hole Hub WITH 15" Rims and Tires	(<i>priced per pair</i>)	
GWH - 223	Dual 6 Hole Hub WITH 15" Rims	(<i>priced per pair</i>)	
GWH - 224	Dual 6 Hole Hub WITH 15" Rims and Tires	(<i>priced per pair</i>)	
GWH - 225	6 Hole Hub WITH 16" Rims	(<i>priced per pair</i>)	
GWH - 226	6 Hole Hub WITH 16" Rims and Tires	(<i>priced per pair</i>)	



SAM STEVENS INC.2101 Lubbock Hwy.
Lamesa, Texas 79331

MANUFACTURING OF FINE QUALITY IMPLEMENT

Phone: 806-872-8365

Fax: 806-872-8368

PARTS

PART NO.	DESCRIPTION
TBT - 064	New Turnbuckle
TBT - 065	4 x 4 Tubing
TBT - 066	Spindle and Hub
TBT - 067	Top Mask
TBT - 068	Spindle WITH Holes
TBT - 069	Pins (LONG)
TBT - 070	Pins (SHORT)

GAGEWHEELS AND PARTS

PART NO.	DESCRIPTION	WEIGHT
GWS - 202	6 Hole Rims (6" x 15")	21 lbs.
GWS - 203	6 Hole Rims (8" x 15")	28 lbs.
GWS - 204	6 Hole Rims (10" x 15")	
GWS - 205	4 Hole Rims (6" x 15")	21 lbs.
GWS - 206	6 Hole Rims (6" x 16")	23-1/2 lbs.
GWS - 207	4" x 12" Cultivator Wheel WITH Rubber	
GWS - 208	Regular Gagewheel Turnbuckle WITH Ends	17 lbs.
GWS - 209	Regular Turnbuckle, ONLY	13 lbs.
GWS - 210	1 1/4" x 6" Turnbuckle Stub End	
GWS - 211	End for Turnbuckle RH Thread WITH Flats	4 lbs.
GWS - 212	End for Turnbuckle LH Thread WITH Flats	4 lbs.
GWS - 213	Gagewheel Turnbuckle Pins, EACH	1/2 lbs.
GWS - 214	Gagewheel A-Frame Assembly	35 lbs.
GWS - 215	Gagewheel Pivot Pin	2 lbs.
GWS - 216	Gagewheel Pivot Bushing	2 lbs.
GWS - 217	Wrap for Pivot Pin and Bushing	1 lb.
GWS - 218	Gagewheel Turnbuckle Body, ONLY	6 lbs.