

**SAM STEVENS INC.**

2101 Lubbock Hwy.  
Lamesa, Texas 79331

MANUFACTURER OF QUALITY FARM EQUIPMENT

Phone: 806-872-8365

Fax: 806-872-8368

## **FOLD OVER MARKER**



**SAM STEVENS INC.**  
2101 Lubbock Hwy.  
Lamesa, Texas 79331

MANUFACTURER OF QUALITY FARM EQUIPMENT  
Phone: 806-872-8365 Fax: 806-872-8368

## **DOUBLE FOLD MARKER**



**SAM STEVENS INC.**2101 Lubbock Hwy.  
Lamesa, Texas 79331

MANUFACTURER OF QUALITY FARM EQUIPMENT

Phone: 806-872-8365

Fax: 806-872-8368

**DOUBLE FOLD MARKER**

<b>PART NO.</b>	<b>DESCRIPTION</b>
DFM - 0700	7 - Row Double Fold Marker complete <b>WITH</b> Four 17 1/2 ft. hoses.
DFM - 0900	9 - Row Double Fold Marker complete 1 pr. Main Wings (37"), 1 pr. Ends (64"), 3 x 18 Cylinder, two 2" Tubing (96"), 1 pr. End Brackets <b>WITH</b> pins and bolts, 1 pr. Marker Disc and Clamps, four 20' Hoses, four 90 degree Connectors, four JD Plugs, 1 pr. Stands <b>WITH</b> U-Bolts, Arm and Bolts
DFM - 0110	11 - Row Marker <b>WITH</b> Two 3x18 Cylinders, four 22 1/2 ft. Hoses, four Connectors, Disks and Clamps and Stands
DFM - 0130	13 - Row Marker <b>WITH</b> Two 3 x 46 Cylinders, four 25' Hoses, four 90 degree Connectors, Disks and Clamps and Stands

**\*\*\* REQUIRES TWO #80 END PLATES WELDED TO BAR \*\*\*****DOUBLE FOLD MARKER PARTS**

<b>PART NO.</b>	<b>DESCRIPTION</b>
DFM - P131	# 80 Marker Plate
DFM - P132	# 82 Marker Plate
DFM - P133	2 1/2" x 18" Cylinder
DFM - P134	3" x 18" Cylinder
DFM - P135	Brass Bushing
DFM - P136	Marker Pin
DFM - P701	One pair of 400 x 8 Marker Gagewheel <b>WITH</b> Clamps
DFM - P138	Pipe Bushings <b>WITHOUT</b> Brass

**SAM STEVENS INC.**

2101 Lubbock Hwy.  
Lamesa, Texas 79331

MANUFACTURER OF QUALITY FARM EQUIPMENT

Phone: 806-872-8365

Fax: 806-872-8368

**FOLD OVER MARKER**



## FOLD OVER ROW MARKER

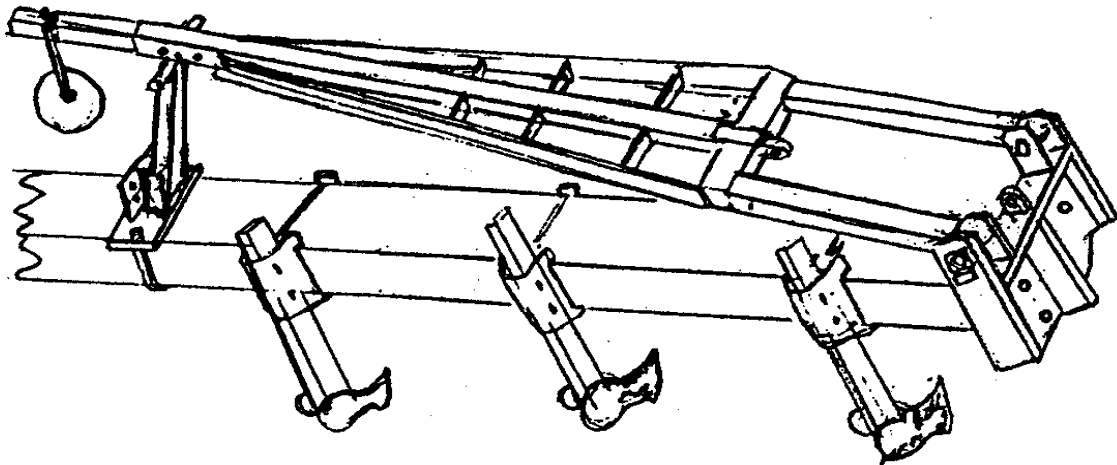
PART NO.	DESCRIPTION	WEIGHT
FOM - 0700	7 - Row Fold Over Marker <b>WITH</b> 3 x 8 Cylinders,	575 lbs.
	Two 17 1/2' Hoses, Disk Markers, 80" Main	
	Marker Arms, Arm Extensions and	
	Arm Supports	
FOM - 0900	9 - Row Fold Over Marker <b>WITH</b> 3 x 8 Cylinders,	650 lbs.
	Two 20' Hoses, Disk Markers, 120" Main	
	Marker Arms, Arm Extensions and	
	Arm Supports	
FOM - 0110	11 - Row Fold Over Marker <b>WITH</b> 3 x 8 Cylinders	575 lbs.
	Two 22 1/2' Hoses, Disk Markers, 160" Main	
	Marker Arms, Arm Extensions and	
	Arm Supports	
FOM - 0130	13 - Row Fold Over Marker <b>WITH</b> 3 x 8 Cylinders	848 lbs.
	Two 25' Hoses, Disk Markers, 200" Main	
	Marker Arms, Arm Extensions and	
	Arm Supports	

### SPECIFY BAR SIZE

**\*\*\* REQUIRES TWO NUMBER 80 END PLATES WELDED TO BAR \*\*\***

### FOLD OVER ROW MARKER PARTS

PART NO.	DESCRIPTION
DFM - P131	# 80 Marker Plate
DFM - P132	# 82 Marker Plate
FOM - P145	3" X 8" Cylinder
DFM - P701	One pair of 400 x 8 Marker Gagewheel <b>WITH</b> Clamps
FOM - P147	Double Disk Bracket <b>ONLY</b>



**SAM STEVENS INC.**

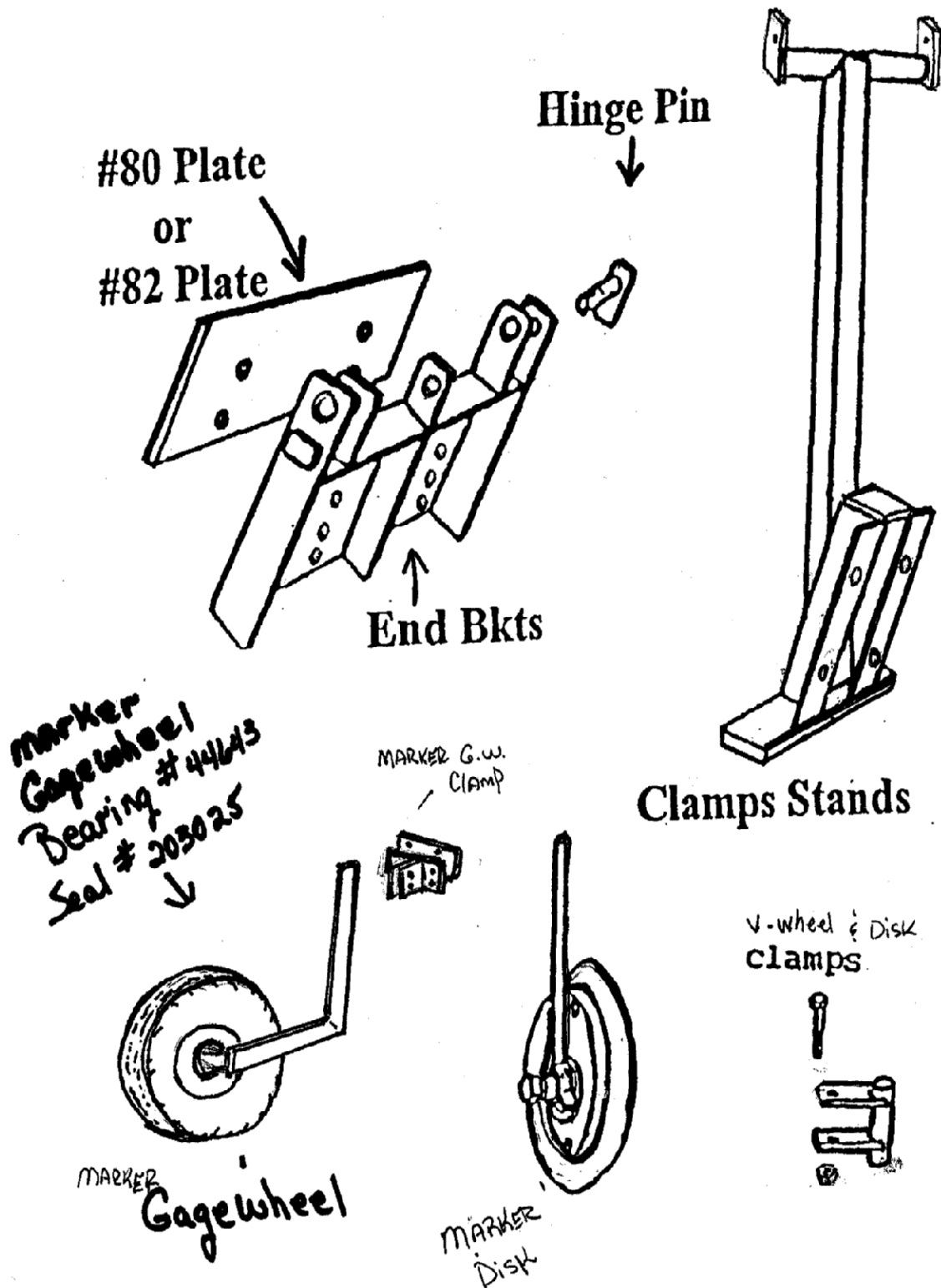
2101 Lubbock Hwy.  
Lamesa, Texas 79331

MANUFACTURER OF QUALITY FARM EQUIPMENT

Phone: 806-872-8365

Fax: 806-872-8368

**MARKER PARTS**



**SAM STEVENS INC.**2101 Lubbock Hwy.  
Lamesa, Texas 79331

MANUFACTURER OF QUALITY FARM EQUIPMENT

Phone: 806-872-8365

Fax: 806-872-8368

**ROW MARKER REPAIR PARTS**

AND

**ACCESSORIES**

<b>PART NO.</b>	<b>DESCRIPTION</b>	<b>WEIGHT</b>
DFM - P701	One pair 400 x 8 Gage Wheels and Clamps	56 lbs.
MRK - P702	One pair 4 x 12 Gage Wheels and Clamps	56 lbs.
MRK - P703	One pair V-Type Marker Wheel and Clamps	30 lbs.
MRK - P704	One pair Marker Disk and Clamps	25 lbs.
DFM - P131	# 80 End Plates	20 lbs.
DFM - P132	# 82 End Plates	28 lbs.
MRK - P707	One pair End Brackets	100 lbs.
MRK - P708	One pair Max Merge End Brackets	
MRK - P709	One pair 7 Row Main Wings	250 lbs.
MRK - P710	One pair 9 Row Main Wings	300 lbs.
MRK - P711	One pair 11 Row Main Wings	420 lbs.
MRK - P712	One pair 13 Row Main Wings	512 lbs.
MRK - P713	One pair Clamp Stands	73 lbs.
MRK - P714	Belting for Stand	
MRK - P715	1 1/8" Hinge Pin	2 lbs.
MRK - P726	Extra Long Hinge Pin	
MRK - P716	1 1/4" Marker Pin - 22"	
MRK - P718	One adjustable Skid Plow <b>WITH</b> Clamp	15 lbs.
MRK - P719	2" x 2" Marker Clamp for 1 3/8" Shank	3 lbs.
MRK - P720	2 1/2" Marker Clamp for 1 3/8" Shank	3.5 lbs.
MRK - P721	Skid Plow <b>ONLY, WITHOUT</b> Clamp	10 lbs.
MRK - P722	Marker Disk <b>WITH</b> Shank and Clamp	13 lbs.
MRK - P724	5/8" x 2" sq. Marker Gage Wheel Clamp	5 lbs.
MRK - P725	5/8" x 2 1/2" sq. Marker Gage Wheel Clamp	5 lbs.
MRK - P740	Marker Cylinder Lug with Grease Cert	
MRK - P741	Marker Bushing	

**MARKER DISK REPAIR PARTS**

<b>PART NO.</b>	<b>DESCRIPTION</b>	<b>WEIGHT</b>
MRK - D726	1" Marker Disk Bearing ( WB216 UL )	
MRK - D727	1" Marker Disk Bearing ( NPC 100 - RPC )	.3 lbs.
MRK - D728	1" Marker Disk Bearing <b>WITH</b> Collar ( 1100 KRRB / COL )	.3 lbs.
MRK - D729	Marker Disk Bearing ( 205 PP11 )	.3 lbs.
MRK - D730	V-Tire <b>ONLY</b> ( 930 - 11 )	
MRK - D731	Ring ( 360 - 12 )	
MRK - D732	Rims ( 750 - 13 )	
MRK - D733	Marker Disk <b>WITH</b> Bearing <b>WITHOUT</b> Shank	
MRK - D734	Replacement Disk, <b>ONLY</b>	
MRK - D735	Replacement Band, <b>ONLY</b>	
MRK - D736	Replacement Shank <b>WITH</b> 1/2" Flange	
MRK - D737	Lower 1/2" Flange	
MRK - D738	Marker Bushing	
MRK - D739	Marker Gagewheel Bearing ( # 44643 )	
MRK - D740	Marker Gagewheel Seal, ( # 203025 )	
MRK - D742	V-Wheel <b>WITH</b> 1 1/4" Shank	
MRK - D743	Disk <b>WITH</b> 1 1/4" Shank	

**SAM STEVENS INC.**  
2101 Lubbock Hwy.  
Lamesa, Texas 79331

7  
MANUFACTURER OF QUALITY FARM EQUIPMENT  
Phone: 806-872-8365 Fax: 806-872-8368

Mar-09

## HYDRAULIC HOSE LENGTHS

<b>PART NO.</b>	<b>DESCRIPTION</b>	<b>WEIGHT</b>
HYD - H101	13 Feet { 3/8" hose <b>WITH</b> 1/2" ends }	2 lbs.
HYD - H102	15 Feet { 3/8" hose <b>WITH</b> 1/2" ends }	2 lbs.
HYD - H103	17.5 Feet { 3/8" hose <b>WITH</b> 1/2" ends }	2.5 lbs.
HYD - H104	20 Feet { 3/8" hose <b>WITH</b> 1/2" ends }	3.0 lbs.
HYD - H105	22.5 Feet { 3/8" hose <b>WITH</b> 1/2" ends }	3.3 lbs.
HYD - H106	25 Feet { 3/8" hose <b>WITH</b> 1/2" ends }	3.5 lbs.
HYD - H107	27.5 Feet { 3/8" hose <b>WITH</b> 1/2" ends }	4.0 lbs.
HYD - H108	28 Feet { 3/8" hose <b>WITH</b> 1/2" ends }	
HYD - H109	30 Feet { 3/8" hose <b>WITH</b> 1/2" ends }	
HYD - H110	31 Feet { 3/8" hose <b>WITH</b> 1/2" ends }	
HYD - H111	35 Feet { 3/8" hose <b>WITH</b> 1/2" ends }	