

**SAM STEVENS INC.**

2101 Lubbock Hwy.  
Lamesa, Texas 79331

MANUFACTURER OF QUALITY FARM EQUIPMENT

Phone: 806-872-8365

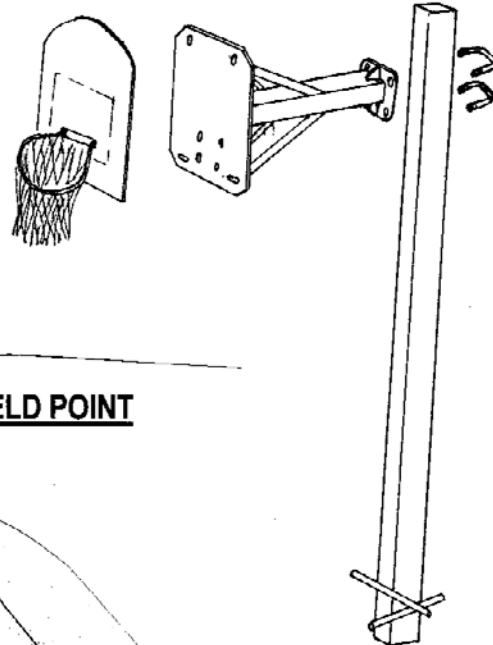
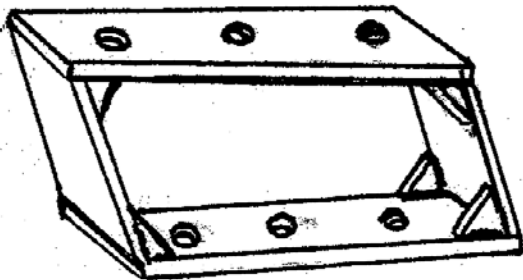
Fax: 806-872-8368

**MISCELLANEOUS ITEMS**

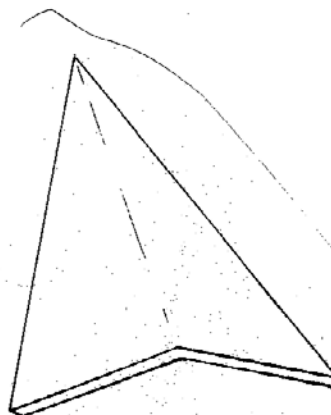
<b>PART NO.</b>	<b>DESCRIPTION</b>	<b>WEIGHT</b>
MSC - 1001	Basketball Goal Post <b>WITHOUT</b> Rim and Backboard	240 lbs.
MSC - 1002	Trailer Pins	1 lbs.
MSC - 1003	Weld on Chisel Point Cap	.75 lbs.
MSC - 1004	Water Shut Off	
MSC - 1005	Elephant Ears ( Dirt Hustler )	
PUH - 1006	Drop Hitch for a Pick-Up ( 4" Drop - 8" HC on Top	17 lbs.
BWP - 1009	Buttweld Points	1.07 lbs.
TWH - 6034	Offset Tow Hitch	174 lbs.
TWH - 6035	Straight Tow Hitch	122 lbs.
TWH - P036	Tow Axle	320 lbs.

**BASKETBALL GOAL POST**

**DROP HITCH**  
FOR  
**PICK-UP ( wt. 17 lbs.)**  
**4" drop - 8" HC on Top**



**BUTTWELD POINT**



**SAM STEVENS INC.**2101 Lubbock Hwy.  
Lamesa, Texas 79331

MANUFACTURER OF QUALITY FARM EQUIPMENT

Phone: 806-872-836

Fax: 806-872-8368

**U-BOLTS**  
with  
**NUTS AND LOCKWASHERS**

PART NO.	DESCRIPTION	WEIGHT
UBT - 1001	5/16" x 1 1/2" x 1 1/2" x 1 1/2"	
UBT - 1002	3/8" x 1 1/2" x 1 1/2" x 1 1/2"	
UBT - 1003	3/8" x 2" x 2" x 2"	
UBT - 1004	3/8" x 4" x 4" x 4"	
UBT - 1005	3/8" x 7" x 7" x 7"	
UBT - 1006	1/2" x 2" x 2" x 2"	
UBT - 1007	1/2" x 3" x 3" x 3"	
UBT - 1008	1/2" x 4" x 4" x 4"	
UBT - 1009	1/2" x 7" x 7" x 7"	
UBT - 1010	5/8" x 2" x 2" x 2"	1.0 lbs.
UBT - 1011	5/8" x 4" x 2" x 4"	1.0 lbs.
UBT - 1012	5/8" x 3" x 3" x 3"	1.5 lbs.
UBT - 1013	5/8" x 4" x 4" x 4"	1.5 lbs.
UBT - 1014	5/8" x 4" x 6" x 4"	1.5 lbs.
	5/8" x 4" x 7" x 4"	
UBT - 1015	5/8" x 5" x 5" x 5"	1.5 lbs.
UBT - 1016	5/8" x 5" x 7" x 5"	2.0 lbs.
UBT - 1017	5/8" x 6" x 4" x 6"	2.0 lbs.
UBT - 1018	5/8" x 7" x 4" x 7"	2.5 lbs.
UBT - 1019	5/8" x 7" x 5" x 7"	2.5 lbs.
UBT - 1020	5/8" x 7" x 7" x 7"	2.5 lbs.
UBT - 1021	5/8" x 7 1/2" x 4 1/2" x 7 1/2"	2.5 lbs.
UBT - 1022	5/8" x 4 1/2" x 7 1/2" x 4 1/2"	
UBT - 1023	3/4" x 2" x 2" x 2"	1.5 lbs.
UBT - 1024	3/4" x 4" x 2" x 4"	
UBT - 1025	3/4" x 3" x 3" x 3"	2.0 lbs.
UBT - 1026	3/4" x 4" x 4" x 4"	2.0 lbs.
UBT - 1027	3/4" x 4" x 6" x 4"	2.5 lbs.
UBT - 1028	3/4" x 4" x 7" x 4"	2.5 lbs.
UBT - 1029	3/4" x 4 1/2" x 7 1/2" x 4 1/2"	3.0 lbs.
UBT - 1030	3/4" x 7 1/2" x 4 1/2" x 7 1/2"	3.0 lbs.
UBT - 1031	3/4" x 5" x 7" x 5"	3.0 lbs.
UBT - 1032	3/4" x 6" x 8" x 6"	4.0 lbs.
UBT - 1033	3/4" x 7" x 4" x 7"	2.75 lbs.
UBT - 1034	3/4" x 7" x 5" x 7"	4.0 lbs.
UBT - 1035	3/4" x 7" x 7" x 7"	4.0 lbs.
UBT - 1036	7/8" x 4" x 4" x 4"	3.1 lbs.
UBT - 1037	7/8" x 7" x 7" x 7"	4.5 lbs.
UBT - 1038	7/8" x 9" x 6" x 9"	5.1 lbs.

**SAM STEVENS INC.**

2101 Lubbock Hwy.  
Lamesa, Texas 79331

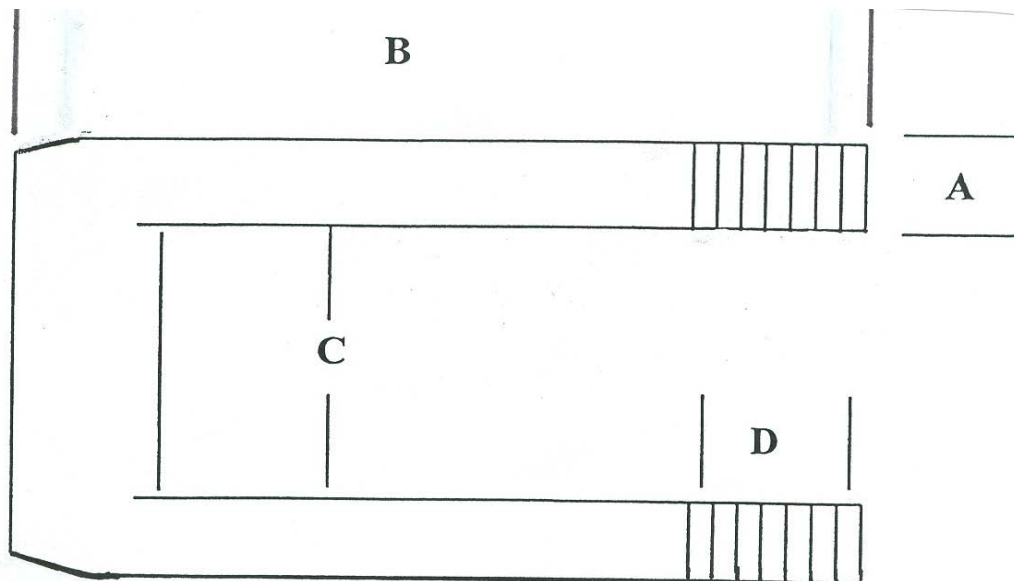
MANUFACTURER OF QUALITY FARM EQUIPMENT

Phone: 806-872-8365

Fax: 806-872-8368

**\*\*\* ALL U-BOLTS ARE PRICED WITH NUTS AND LOCKWASHERS \*\*\***

PART NO.	SIZE	A	B	C	D
UBT - 1010	5/8" x 2" x 2" x 2"	5/8"	5"	2"	2"
UBT - 1011	5/8" x 4" x 2" x 4"	5/8"	7"	2"	2"
UBT - 1012	5/8" x 3" x 3" x 3"	5/8"	6"	3"	2"
UBT - 1013	5/8" x 4" x 4" x 4"	5/8"	7"	4"	2"
UBT - 1014	5/8" x 4" x 6" x 4"	5/8"	7"	6"	2.5"
UBT - 1015	5/8" x 5" x 5" x 5"	5/8"	7"	5"	
UBT - 1016	5/8" x 5" x 7" x 5"	5/8"	8"	7"	2"
UBT - 1017	5/8" x 6" x 4" x 6"	5/8"	9"	4"	2.5"
UBT - 1018	5/8" x 7" x 4" x 7"	5/8"	10"	4"	2.5"
UBT - 1019	5/8" x 7" x 5" x 7"	5/8"	10"	5"	2.5"
UBT - 1020	5/8" x 7" x 7" x 7"	5/8"	10"	7"	2"
UBT - 1021	5/8" x 7 1/2" x 4 1/2" x 7 1/2"	5/8"	10.5"	4.5"	2"
UBT - 1022	5/8" x 4 1/2" x 7 1/2" x 4 1/2"	5/8"	7.5"	7.5"	2"
UBT - 1023	3/4" x 2" x 2" x 2"	3/4"	5.75"	2"	2"
UBT - 1024	3/4" x 4" x 2" x 4"	3/4"	7.75"	2"	2"
UBT - 1025	3/4" x 3" x 3" x 3"	3/4"	6.75"	3"	2"
UBT - 1026	3/4" x 4" x 4" x 4"	3/4"	7.75"	4"	2"
UBT - 1027	3/4" x 4" x 6" x 4"	3/4"	7.75"	6"	2.25"
UBT - 1028	3/4" x 4" x 7" x 4"	3/4"	7.75"	4.5"	2.25"
UBT - 1029	3/4" x 4 1/2" x 7 1/2" x 4 1/2"	3/4"	8.25"	7.5"	2.25"
UBT - 1030	3/4" x 7 1/2" x 4 1/2" x 7 1/2"	3/4"	11.25"	4.5"	2.25"
UBT - 1031	3/4" x 5" x 7" x 5"	3/4"	8.75"	7"	2.25"
UBT - 1032	3/4" x 6" x 8" x 6"	3/4"	9.75"	8"	2.25"
UBT - 1038	3/4" x 7" x 4" x 7"	3/4"	10.75"	4"	2.25"



**SAM STEVENS INC.**

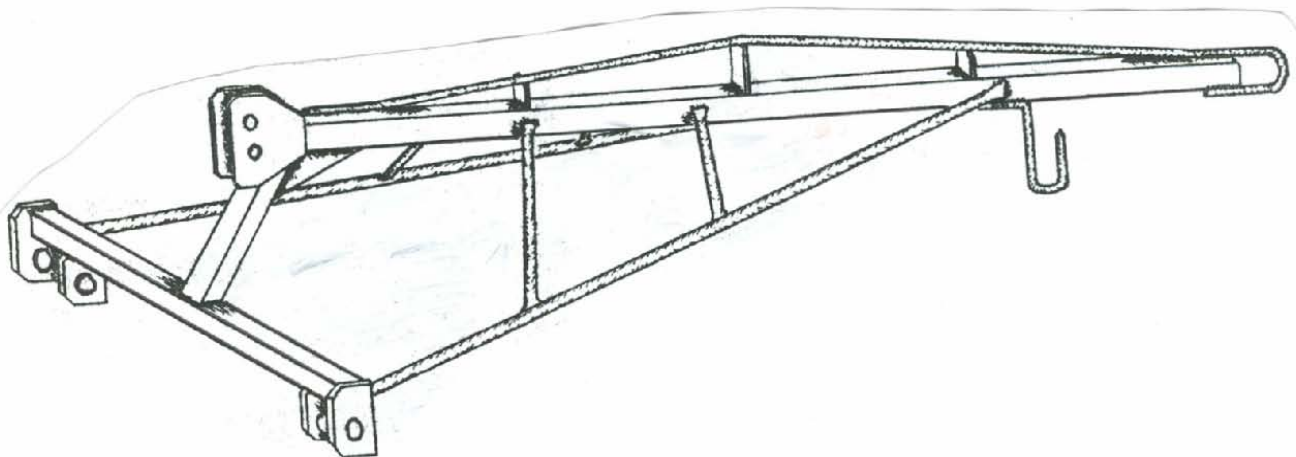
2101 Lubbock Hwy.  
Lamesa, Texas 79331

MANUFACTURER OF QUALITY FARM EQUIPMENT

Phone: 806-872-8365

Fax: 806-872-8368

**THREE POINT LIFT CRANE**



**SAM STEVENS INC.**

2101 Lubbock Hwy.  
Lamesa, Texas 79331

MANUFACTURER OF QUALITY FARM EQUIPMENT

Phone: 806-872-8365

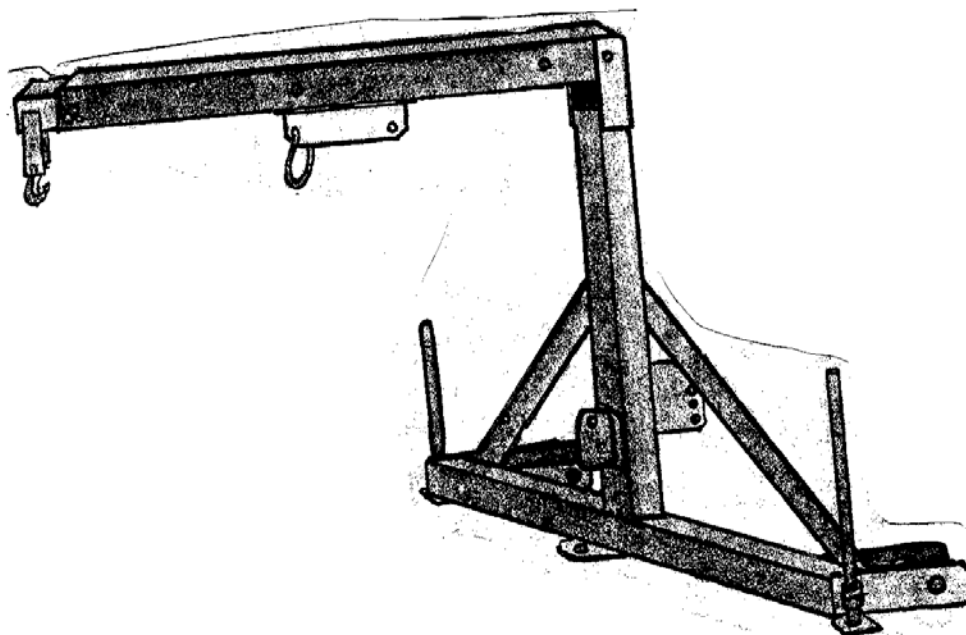
Fax: 806-872-8368

**THREE POINT LIFT CRANE**

<b>PART NO.</b>	<b>DESCRIPTION</b>	<b>WEIGHT</b>
TPL - 1001	Category 2, Three Point Lift Crane	147 lbs.
TPL - 1002	Hydraulic Assisted Lift Crane, COMPLETE <i>( includes two 6 ft. Hydraulic Hose and one 3" x 16" cylinder )</i>	345 lbs.
TPL - 1003	Heavy Duty 4 x 4 Lift Crane <i>( maximum lift is 3,000 lbs. )</i>	320 lbs.

**PARTS FOR THE THREE POINT LIFT CRANE**

<b>PART NO.</b>	<b>DESCRIPTION</b>	<b>WEIGHT</b>
TPL - 105	3" x 16" Hydraulic Cylinder	31 lbs.
TPL - 106	1/2" x 72" Hydraulic Hose	2.1 lbs.
TPL - 107	Hydraulic Lift Crane <b>ONLY</b> ( <b>WITHOUT</b> Hose and )	300 lbs.
TPL - 108	Hydraulic Lift Crane Outer Support Tube	91 lbs.
TPL - 109	Hydraulic Lift Crane Inner Tube	53 lbs.
TPL - 110	Hydraulic Lift Crane Hitch <b>ONLY</b>	165 lbs.



Hydraulic 3 Point Lift Crane

Category 2, Category 3 or Quick Coupler 3 Point Hitch. Constructed with heavy duty 4" square tubing.

Boom Telescopes to eleven feet with a fully extended lift capacity of approximately 2,000 lbs.

Uses a 3" x 16" cylinder.

**SAM STEVENS INC.**

2101 Lubbock Hwy.  
Lamesa, Texas 79331

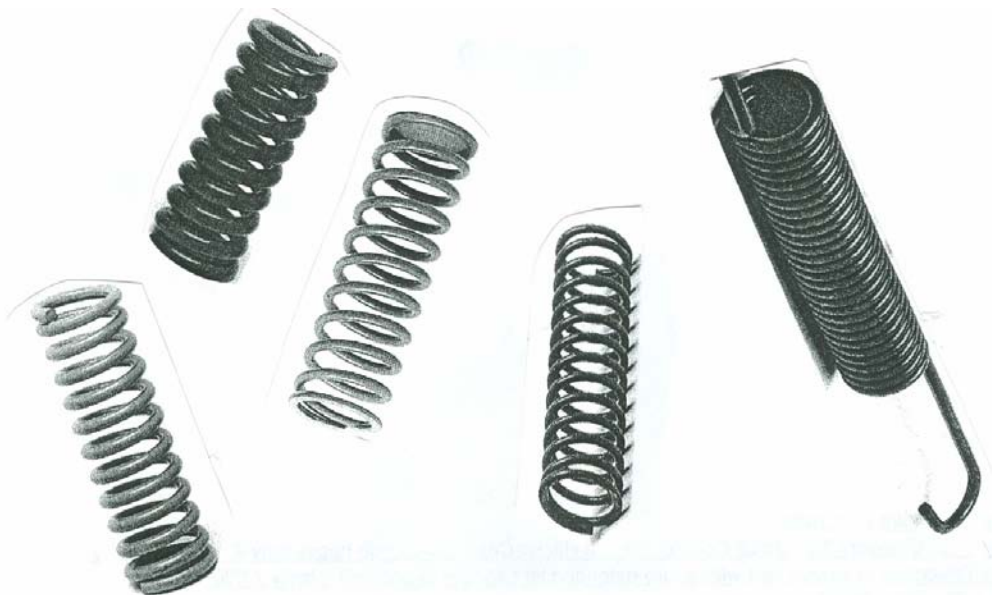
MANUFACTURER OF QUALITY FARM EQUIPMENT

Phone: 806-872-8365

Fax: 806-872-8368

## SPRINGS

PART NO.	DESCRIPTION	
SPR - 9001	Old Style Sandfighter Spring <b>WITH</b> Hooks	( # 41046 )
SPR - 9002	Old Style Sandfighter Compression Spring	( # SSCS )
SPR - 9003	Axel Helper Spring	( # 33493 )
SPR - 9004	J.D. Planter Spring	( # 64424 )
SPR - 9005	I.H. Planter Spring	( # 64424 )
SPR - 9006	I.H. Planter Spring <b>WITH</b> Lite Hooks	( # 63200 )
SPR - 9007	I.H. Planter Spring <b>WITH</b> Heavy Duty Hooks	( # 66958 )
SPR - 9008	Rotary Hoe Sam Stevens Tines	( # 54439 )
SPR - 9009	Spring Loaded Rotary Hoe Compression Spring	( # 6350 )
SPR - 9010	Rotary Hoe P/W Tines	( # 6551 )
SPR - 9011	Rotary Hoe Compression Spring	( # 70298 )
SPR - 9012	Coulter Spring	( # 33490 )
SPR - 9013	Stalkcutter Spring, Regular	( #33490 )
SPR - 9014	Stalkcutter Spring, Long	( # 70291 )
SPR - 9015	J.D. Chisel Spring	( # 58046 )
SPR - 9016	Fertilizer Coulter Spring <b>WITH</b> Pull Hook	( # 66961 )
SPR - 9017	Fertilizer Compression Spring	( # 66957 )
SPR - 9018	Fertilizer Hooker Rod	( # SS Hook )
SPR - 9019	Fertilizer U Spring	( # SS U )
SPR - 9020	E.Z.Y. Spring	( # SSEZY )
SPR - 9021	T - Spring	( # SS T )
SPR - 9022	Bed Roller Spring	



**SAM STEVENS INC.**

2101 Lubbock Hwy.  
Lamesa, Texas 79331

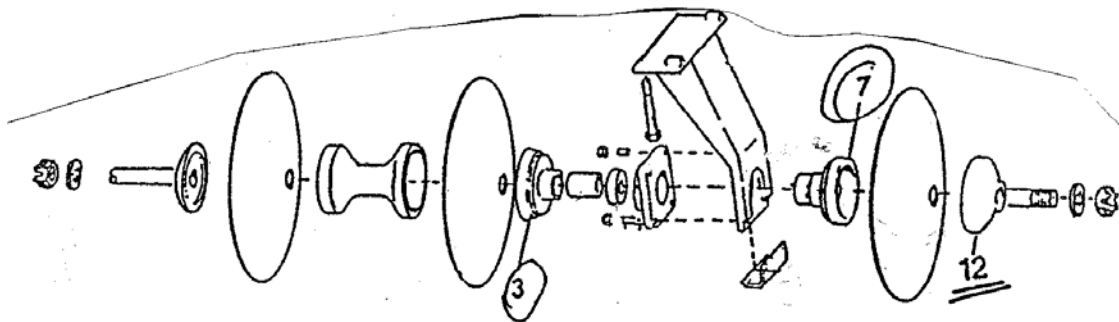
MANUFACTURER OF QUALITY FARM EQUIPMENT

Phone: 806-872-8365

Fax: 806-872-8368

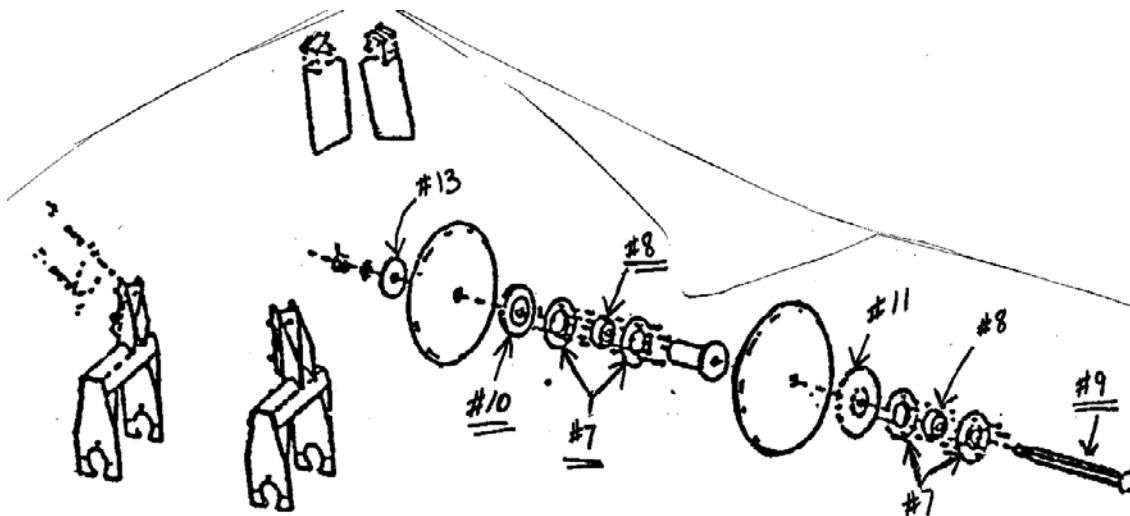
**HEAVY DUTY OFFSET MILLER DISC TYPE**

PART NO.	REF. NO.	DESCRIPTION	
OMD - 4201	# 3	Spool	( # 3554201 )
OMD - 4202	# 7	Half Spool	( # 3456200 )
OMD - 4303	# 12	Cap	( # 3641727 )



**HAMBY TYPE DISC BEDDER PARTS**

PART NO.	REF. NO.	DESCRIPTION
HDB - 504	# 7	80 MSC Flangett
HDB - 505	# 8	208 PPB5 Bearing
HDB - 506	# 9	Gang Bolt
HDB - 507	# 10	6" Disc Bumper ( # 112 )
HDB - 508	# 11	9" Disc Bumper ( # 106 )
HDB - 509	# 13	3" Disc Bumper ( # 117 )
HDB - 510		Square <b>WITH</b> Hole ( # 107 )
HDB - 511		6" Spacer



**SAM STEVENS INC.**

2101 Lubbock Hwy.  
Lamesa, Texas 79331

MANUFACTURER OF QUALITY FARM EQUIPMENT

Phone: 806-872-8365 Fax: 806-872-8368

**BED ROLLERS**

**SPRING LOADED**

<b>PART NO.</b>	<b>DESCRIPTION</b>	<b>WEIGHT</b>
SBR - 1001	Bed Roller w/ 12" Roller in Diameter, 1" Shaft, 5/8" R	96 lbs.
SBR - 1002	Bed Roller w/ 8" Roller in Diameter ( fits 7100 or 7300 J.D. Planter )	

**BED ROLLER PARTS**

<b>PART NO.</b>	<b>DESCRIPTION</b>
SBR - 103	16" Flat <b>WITH</b> a 5 1/2" 90 Degree Angle and 5" Hole Centers
SBR - 104	Flat ( 3/8" x 1" x 24" ) <b>WITH</b> Holes
SBR - 105	3 Hole Flange
SBR - 106	13" Spring
SBR - 107	H.D. Hair Pin
SBR - 108	Roller Basket, <b>ONLY</b> , No Bearing or Flanges



**SAM STEVENS INC.**2101 Lubbock Hwy.  
Lamesa, Texas 79331

MANUFACTURER OF QUALITY FARM EQUIPMENT

Phone: 806-872-8365

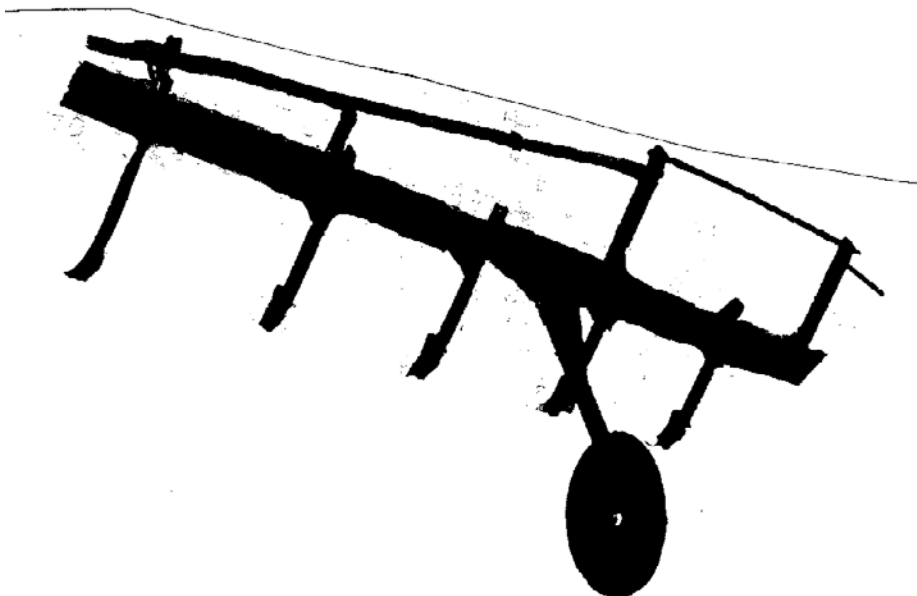
Fax: 806-872-8368

**SWAY BRACES**

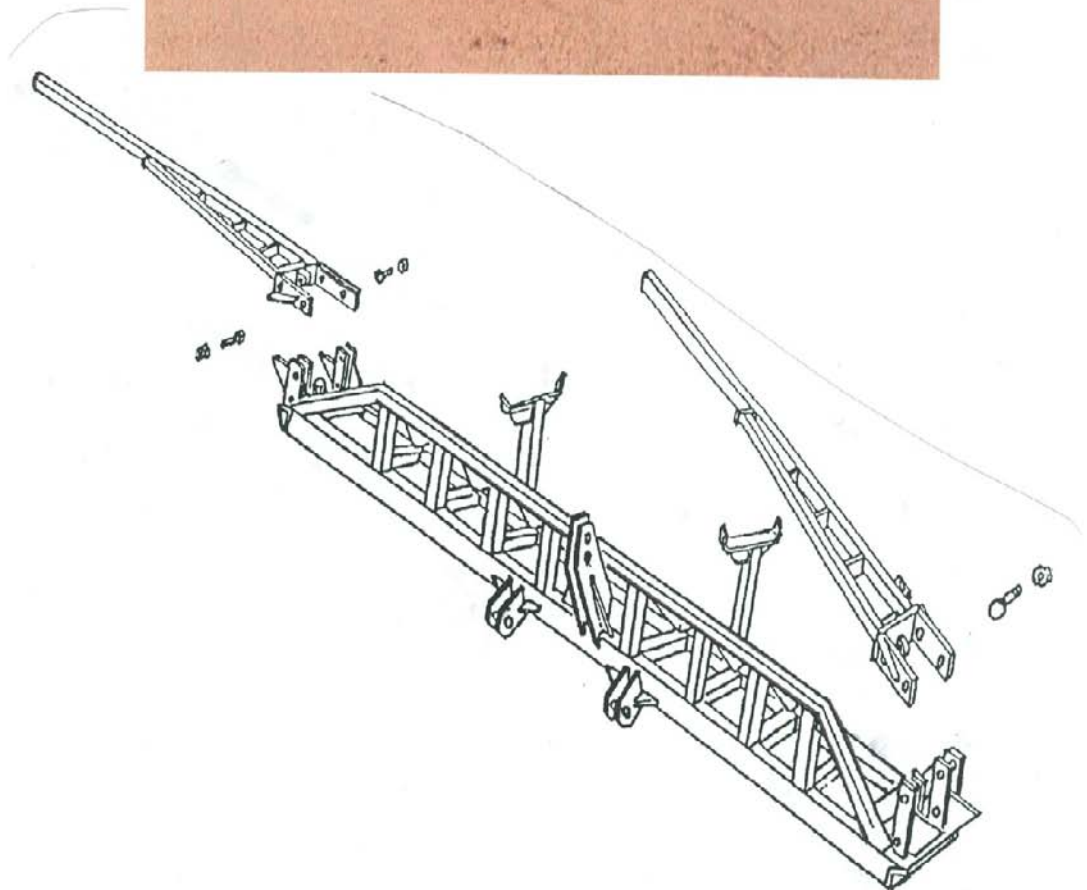
<b>PART NO.</b>	<b>DESCRIPTION</b>	<b>WEIGHT</b>
SWB - 1001	28' 4" Bar { One 6' Bar, Two 10' 2" Bar }	206 lbs.
SWB - 1002	30' Bar { One 6' Bar, Two 11' Bar }	209 lbs.
SWB - 1003	33' 4" Bar { One 6' Bar, Two 12' 8" Bar }	215 lbs.
SWB - 1004	36' 8" Bar { One 6' Bar, Two 14' 4" Bar }	220 lbs.
SWB - 1005	40' Bar { One 6' Bar, Two 16' Bar }	226 lbs.
SWB - 1006	Sway Brace for J.D. Rotary Hoe	220 lbs.
SWB - 1007	H.D. Sway Brace for Max Planter	570 lbs.

**SWAY BRACE REPAIR PARTS**

<b>PART NO.</b>	<b>DESCRIPTION</b>	<b>WEIGHT</b>
SWB - 108	Replacement Threaded Rod	3 lbs.
SWB - 109	Sway Brace Bracket <b>WITHOUT</b> Rods, Complete	145 lbs.
SWB - 110	Sway Brace Center Bracket, <b>ONLY</b>	65 lbs.
SWB - 111	Sway Brace End Bracket, <b>ONLY</b>	80 lbs.
SWB - 112	6' Pipe <b>WITH</b> Threaded Rods	16 lbs.
SWB - 113	8' 6" Pipe <b>WITH</b> Threaded Rods	20 lbs.
SWB - 114	10' 2" Pipe <b>WITH</b> Threaded Rods	23 lbs.
SWB - 115	11' Pipe <b>WITH</b> Threaded Rods	24 lbs.
SWB - 116	12' 8" Pipe <b>WITH</b> Threaded Rods	27 lbs.
SWB - 117	14' 4" Pipe <b>WITH</b> Threaded Rods	30 lbs.
SWB - 118	16' Pipe <b>WITH</b> Threaded Rods	32 lbs.



## FOLDING SPRAY BOOM



**SAM STEVENS INC.**2101 Lubbock Hwy.  
Lamesa, Texas 79331

MANUFACTURER OF QUALITY FARM EQUIPMENT

Phone: 806-872-8365

Fax: 806-872-8368

## FOLDING SPRAY BOOM

The total length of the Spray Boom is 60 feet. The center bar is 30 feet, with 4" square tubing for the front of the bar, 1 1/2" square top mast tubing, 1 1/2" square rear tubing for the adjustable spacing spray nozzle clamps. The three point hitch is welded to the bar and accepts category two, category three or quick coupler hitches.

**PRICE INCLUDES****TWO 3" x 8" CYLINDERS, 3 POINT HITCH AND HOSES**

<b>PART NO.</b>	<b>DESCRIPTION</b>	<b>WEIGHT</b>
FSB - 1001	60 Ft. Heavy Duty Hydraulic Folding Spray Boom	1205 lbs.
FST - 1002	80 Ft. 4 x 4 Spray Boom	

**SPRAY BOOM REPAIR AND REPLACEMENT PARTS**

<b>PART NO.</b>	<b>DESCRIPTION</b>	<b>WEIGHT</b>
FSB - 106	Spray Nozzle Clamp for 1 1/2" Square Bar	
FSB - 107	Spray Nozzle Clamp for 2" Square Bar	1 lbs.
FSB - 108	Spray Nozzle Clamp for 3" x 3" Square Bar	1 lbs.
FSB - 109	Spray Nozzle Clamp for 4" Square Bar	1 lbs.
FSB - 110	Center Bar ( 30 feet long )	
FSB - 111	Folding Wing ( 15' 4" ) <b>SPECIFY RIGHT OR LEFT</b>	
FSB - 112	Hydraulic Hose ( 3/8" x 20' )	
FSB - 113	Hydraulic Cylinder ( 3" x 8" )	
FSB - 114	Gage Wheel - 400 x 8 on <b>LONG</b> 5/8" x 2" Straight Shank	
FSB - 115	Gage Wheel Clamp for 5/8" x 2" Shank to 2" Square Bar	
FSB - 116	Pivot Lug ( 1" x 3" <b>WITH</b> Grease Sert )	
FSB - 117	Tank Bracket	156 lbs.
FSB - 118	Gagewheels for a Red Ball Sprayboom	
FSB - 119	Q.A. Spray Nozzle Clamp	

**SAM STEVENS INC.**

2101 Lubbock Hwy.  
Lamesa, Texas 79331

MANUFACTURER OF QUALITY FARM EQUIPMENT

Phone: 806-872-8365

Fax: 806-872-8368

**DOUBLE FOLD SPRAY BOOM**

PART NO.	DESCRIPTION	WEIGHT
DFSB - 1001	60 FT. Double Fold Spray Boom <b>WITH</b> Cylinder, Ho	1205 lbs.
	Cylinder, Hose, Spray Hose and Tee	

**PRICE INCLUDES**

**TWO 3" x 8" CYLINDERS, 3 POINT HITCH AND HOSES**

1/2 " Red Hose	\$	1.05	per foot
H6 - Hose Clamp	\$	0.78	each
1-1/2 Boom Clamp	\$	2.80	each
1/2 x 1/2 x 3/4 Tee	\$	2.45	each
312-500-body with Double	\$	8.00	each
311-500 - Single for End	\$	8.00	each
Screens	\$	1.25	each



**SAM STEVENS INC.**

2101 Lubbock Hwy.  
Lamesa, Texas 79331

MANUFACTURER OF QUALITY FARM EQUIPMENT

Phone: 806-872-8365

Fax: 806-872-8368

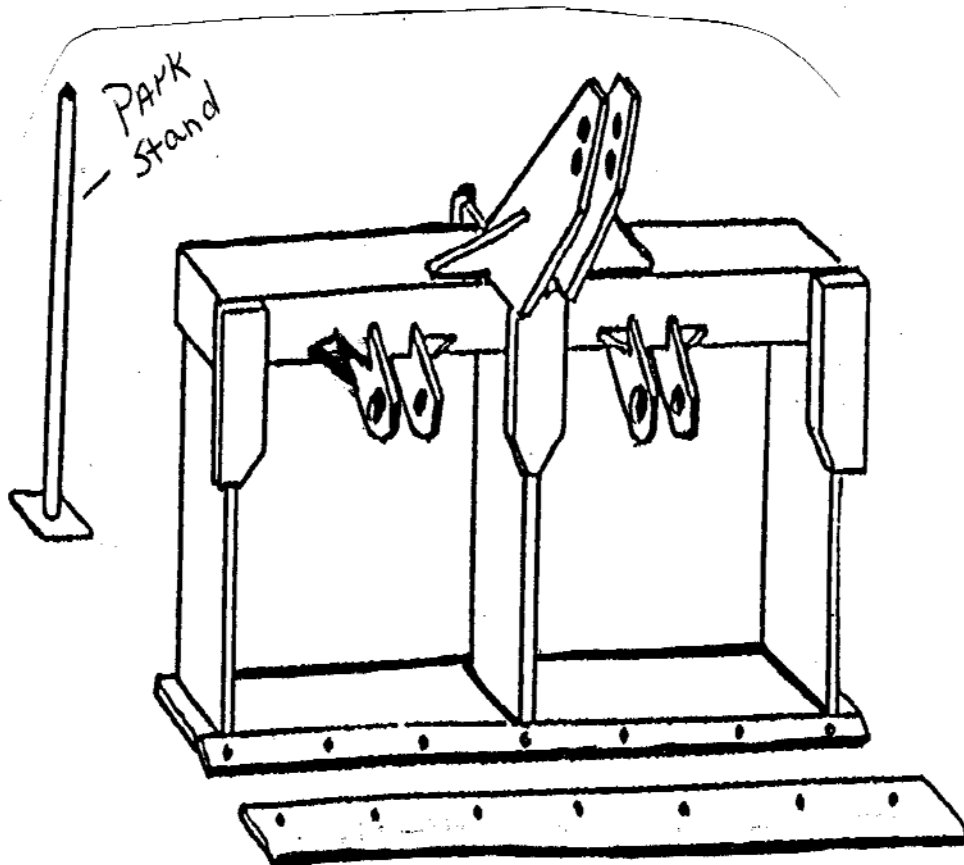
**TURNROW PLOW**

OR

**ONION BLADE**

PART NO.	DESCRIPTION	WEIGHT
TRP - 1001	Turnrow Plow, Regular Duty WITH 96" Cut	535 lbs.

PART NO.	DESCRIPTION	WEIGHT
TRP - 102	Regular Duty 96" Cut Blade	28 lbs.
TRP - 103	Park Stand (Tubing)	



**SAM STEVENS INC.**

2101 Lubbock Hwy.  
Lamesa, Texas 79331

MANUFACTURER OF QUALITY FARM EQUIPMENT

Phone: 806-872-8365

Fax: 806-872-8368

**J.D. SHIMS**

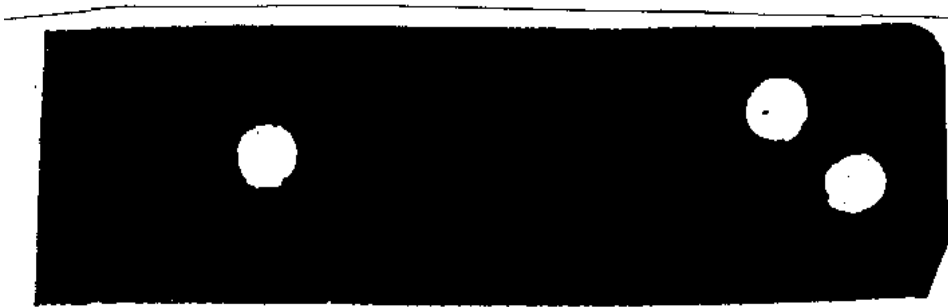


**R660 771 LIFT ARM SHIM**  
**3" x 10 1/4" SWAY BLOCKSHIM**

LAS - 1001		1/8" Thickness
LAS - 1002		3/16" Thickness

**FITS THE FOLLOWING J.D. SHIMS**

J.D. #'s 4555, 4560, 4640, 4650, 4755, 4760, 4840, 4850, 4955, 4960



**R65 527 SWAY BLOCK SHIM**  
**3" x 10 1/4"**

SBS - 1003		1/8" Thickness
SBS - 1004		3/16" Thickness

**FITS THE FOLLOWING J.D. SHIMS**

J.D. #'s 2510, 4430, 4440, 4450, 4455

**SAM STEVENS INC.**

2101 Lubbock Hwy.  
Lamesa, Texas 79331

MANUFACTURER OF QUALITY FARM EQUIPMENT

Phone: 806-872-8365

Fax: 806-872-8368



**R118 079 SHIM FOR 7000 SERIES**

SHM - 1005		1/8" Thickness
SHM - 1006		3/16" Thickness

**FITS THE FOLLOWING J.D. SHIMS**

J.D. #'s 7200, 7210, 7400, 7410, 7420, 7510, 7520, 7600, 7610, 7700, 7710, 7800, 7810



**R124 780 SHIM FOR 8000 SERIES**

SHM - 1007		1/8" Thickness
SHM - 1008		3/16" Thickness

**FITS THE FOLLOWING J.D. SHIMS**

J.D. #'s 8100, 8100T, 8110, 8110T, 8200, 8200T, 8210, 8210T,

**SHIMS FOR THE DRAFT LINK BUMPER - R205716**

SHM - 1009	
------------	--

**FITS THE FOLLOWING J.D TRACTORS**

J.D. #'s 8120, 8220, 8320, 8420, 8520

**SAM STEVENS INC.**

2101 Lubbock Hwy.  
Lamesa, Texas 79331

MANUFACTURER OF QUALITY FARM EQUIPMENT

Phone: 806-872-8365

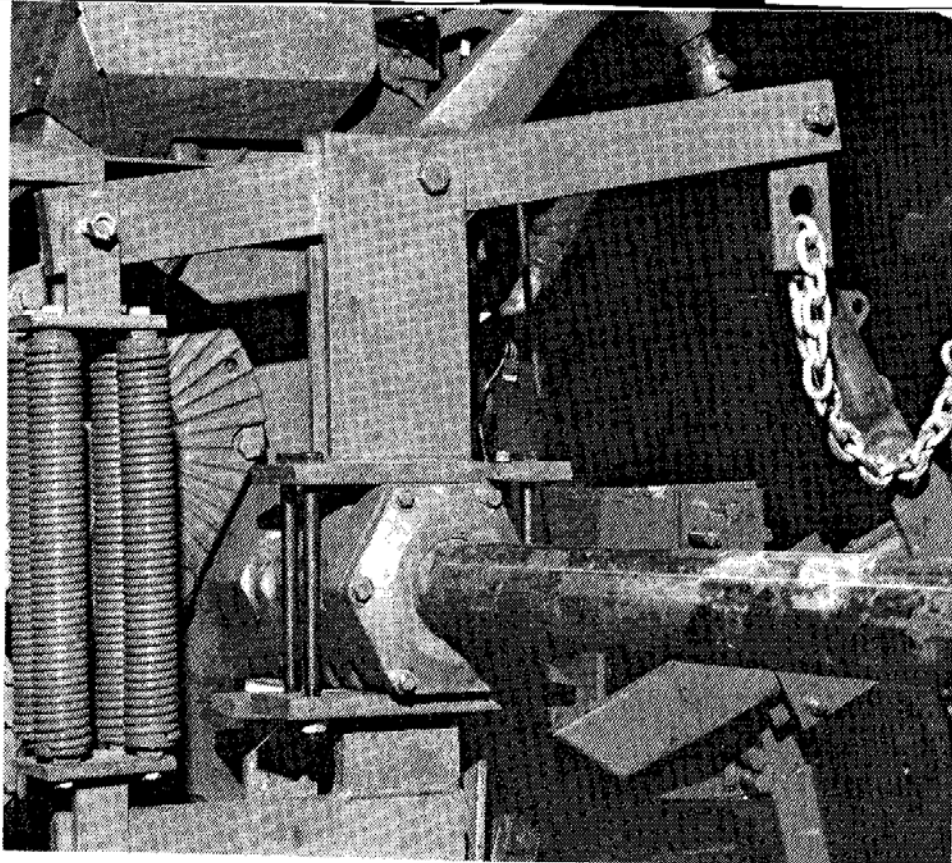
Fax: 806-872-8368

**HELPER SPRING BRACKET**

PART NO.	DESCRIPTION	WEIGHT
HSB - 5902	Complete Unit <b>WITH</b> all the bolts	285 lbs.
HSB - 5903	Helper Spring Bracket, Axle Mounted, <b>WITHOUT</b> Springs	
HSB - 5904	Tool Bar Mount Helper Spring Bracket	37 lbs.
HSB - 5905	Planter Hitch Helper Spring Bracket	21 lbs.

**HELPER SPRING BRACKET PARTS**

PART NO.	DESCRIPTION	WEIGHT
HSB - 004	Spring <b>WITH</b> Plugs	5.5 lbs.
SPR - 9003	Spring <b>WITHOUT</b> Plugs (# 33493)	5.0 lbs.
HSB - 006	Plugs, <b>ONLY</b>	0.5 lbs.



**HELPER SPRING BRACKETS  
Axle mounted.**

**SAM STEVENS INC.**

2101 Lubbock Hwy.  
Lamesa, Texas 79331

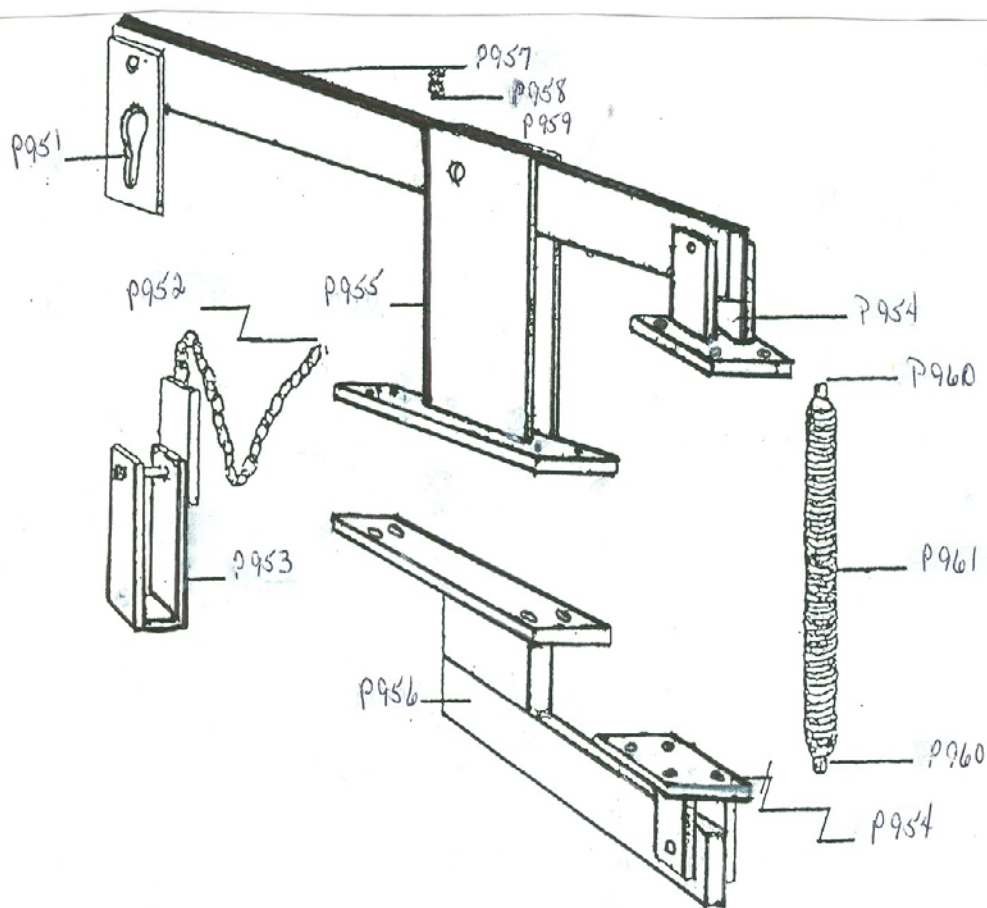
MANUFACTURER OF QUALITY FARM EQUIPMENT

Phone: 806-872-8365

Fax: 806-872-8368

**AXEL HELPER SPRING PARTS**

PART NO.	DESCRIPTION	WEIGHT
AHS - 951	Key Hole Flat	2 lbs.
AHS - 952	Clamp for Lift Arm <b>WITH</b> Chain	21 lbs.
AHS - 953	Clamp for Lift Arm <b>WITH</b> Chain	21 lbs.
AHS - 954	Clamp for 1 x 3 <b>WITH</b> Flat, Holes for Springs and P	5 lbs.
AHS - 955	Flat ( 1/2" x 6" ) On Top of Axle	31 lbs.
AHS - 956	Flat ( 1 x 3 ) On Bottom of Axle	43 lbs.
AHS - 957	Lift Arm ( 1 x 3 - 36" Long )	31 lbs.
AHS - 958	Lift Arm ( 1 x 3 - 40" Long )	41 lbs.
AHS - 959	Lift Arm ( 1 x 3 - 48" Long )	34 lbs.
AHS - 960	Plug	.05 lbs.
AHS - 961	Axle Helper Spring <b>WITHOUT</b> Plugs	5 lbs.
AHS - 962	Axle Helper Spring <b>WITH</b> Plugs	



**SAM STEVENS INC.**

2101 Lubbock Hwy.  
Lamesa, Texas 79331

MANUFACTURER OF QUALITY FARM EQUIPMENT

Phone: 806-872-8365

Fax: 806-872-8368

**I.H.C. STABILIZER**

PART NO.	DESCRIPTION	WEIGHT
IHC - 1171	Category II Stabilizer, WITH Rub Blocks	117 lbs.
IHC - 1172	Category III Stabilizer, WITH Rub Blocks	124 LBS.

**I.H.C. STABILIZER PARTS**

PART NO.	DESCRIPTION	WEIGHT
IHC - 173	Category II Rub Block for Category II Stabilizer	20 lbs.
IHC - 174	Category II Rub Block for Category III Stabilizer	26 lbs.
IHC - 175	Category III Rub Block for Category III Stabilizer	26 lbs.

