

**SAM STEVENS INC.**



MANUFACTURER OF QUALITY FARM EQUIPMENT  
PHONE (806) 872-8365 • FAX (806) 872-8368  
2101 LUBBOCK HIGHWAY • LAMESA, TEXAS 79331

## PEANUT TRANSFER UNIT



### FEATURES:

- Volume: 960 cubic feet
- Tire Size: 30.5 x 32-12 R3
- 4-1/2" cylinders, with 2-1/2" shafts
- Tongue Jack
- Inside mounted lights
- Mounted trailer lights
- Expanded metal in floor and on dump side for dirt escape
- Large window areas for viewing inside and thru cart
- Inside and outside ladders on cart
- Side door access to inside of box



**SAM STEVENS INC.**

2101 Lubbock Hwy.  
Lamesa, Texas 79331

MANUFACTURER OF QUALITY FARM EQUIPMENT

Phone: 806-872-8365

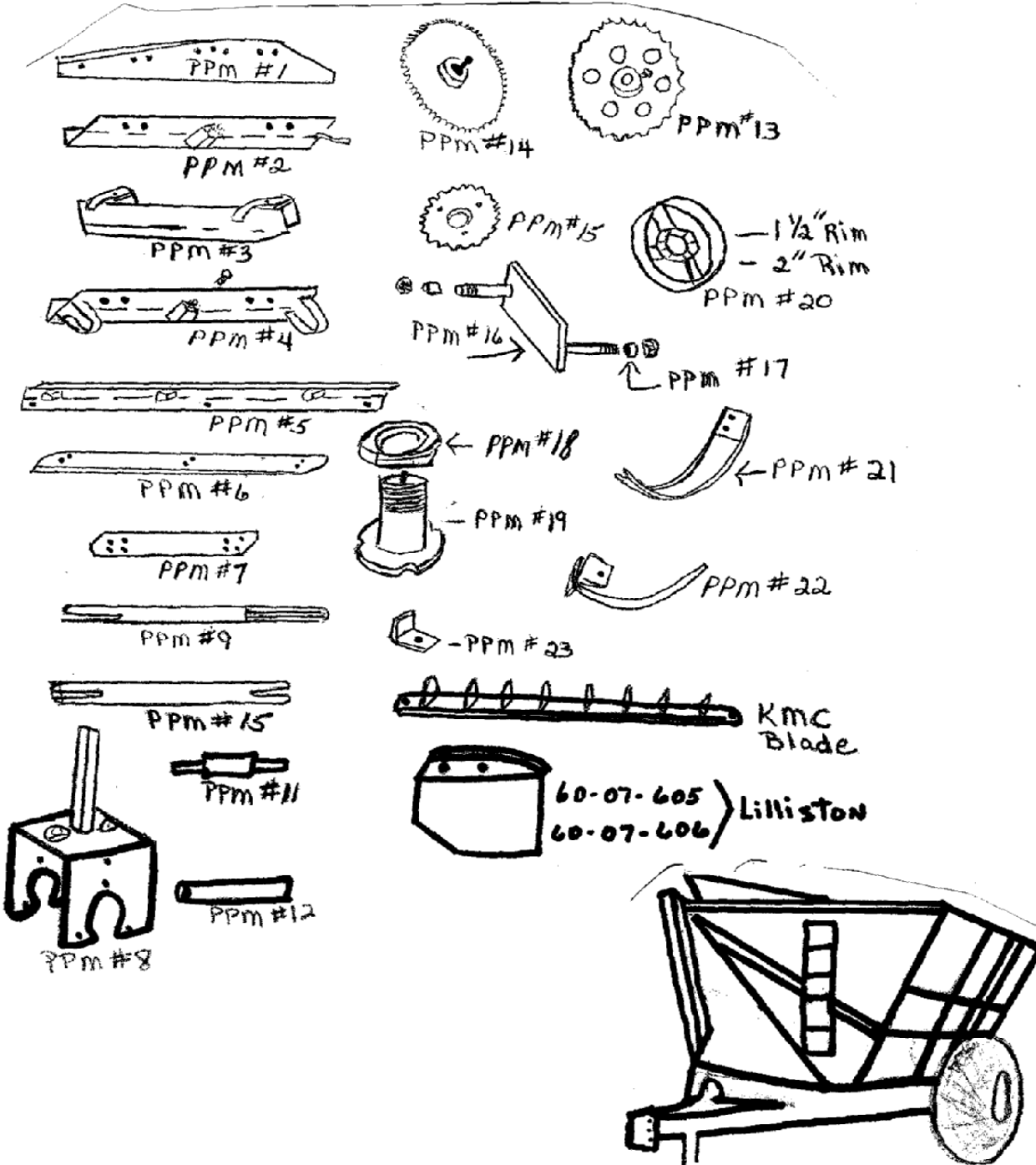
Fax: 806-872-8368

**PEARMAN PEANUT MACHINE**

**REPLACEMENT PARTS**

**PEARMAN PEANUT MACHINE**

**REPLACEMENT PARTS**



**SAM STEVENS INC.**2101 Lubbock Hwy.  
Lamesa, Texas 79331

MANUFACTURER OF QUALITY FARM EQUIPMENT

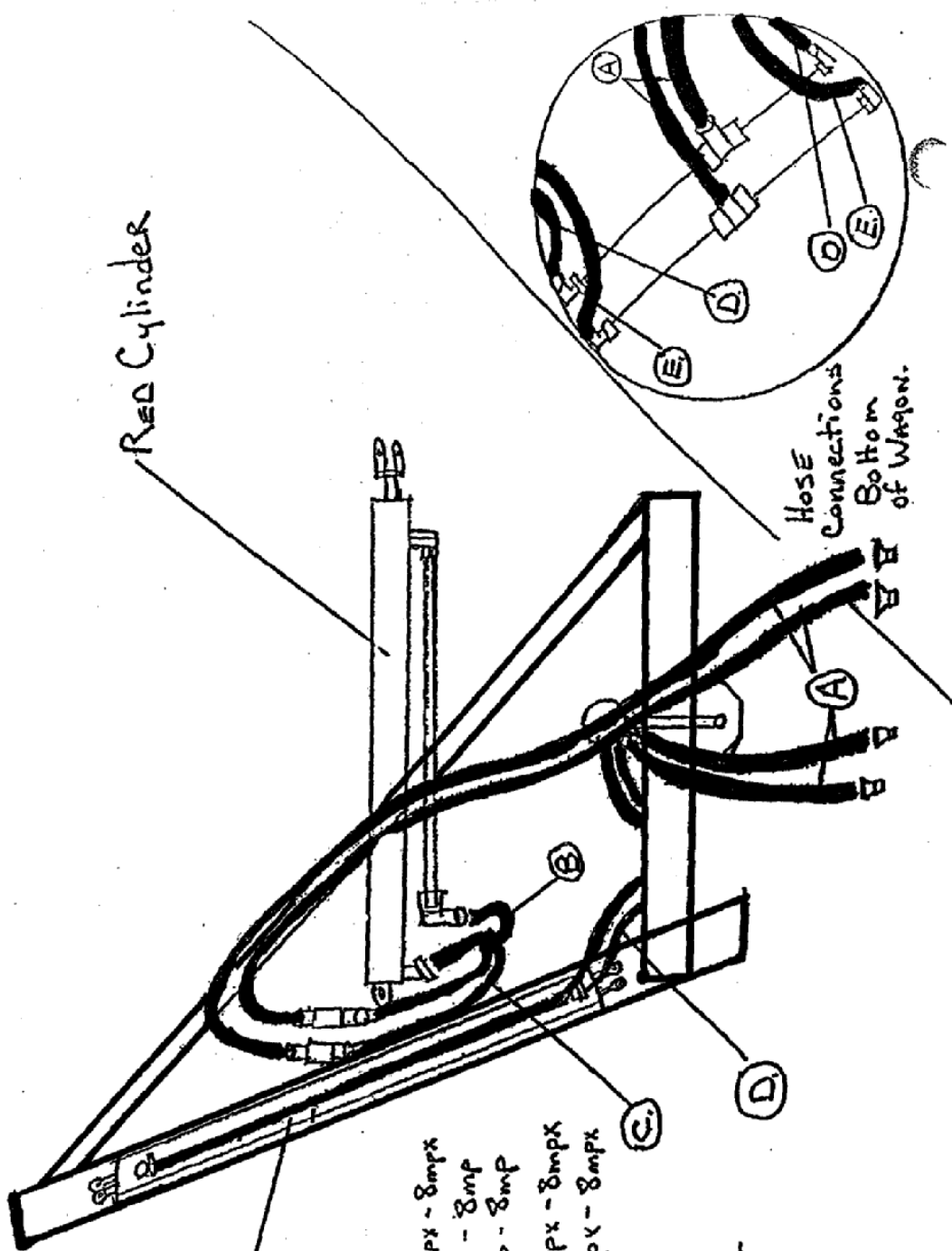
Phone: 806-872-8365

Fax: 806-872-8368

**PEARMAN PEANUT MACHINE****REPLACEMENT PARTS**

PART NO.	DESCRIPTION	Pearman No.
PPM - 0001	42" X 4" X 3/8" Plow Blade	P 1005
PPM - 0002R	Left Rear Short Pressure Plate Angle ( Right Hand )	P 2063 RH
PPM - 0002L	Left Front Short Pressure Plate Angle ( Left Hand )	P 2062 LH
PPM - 0003	Chain Guides	P 2091
PPM - 0004	Center Short Pressure Plate Angle	P 2066
PPM - 0005R	Inside Long Pressure Plate ( Right Hand )	P 2060 RH
PPM - 0005L	Inside Long Pressure Plate ( Left Hand )	P 2059 LH
PPM - 0006	Flat Wear Strip	P 2061
PPM - 0007	Flat Wear Strip ( 3/16" x 3" x 22 1/2" )	P 2067
PPM - 0008	Rear Yoke	P 0022
PPM - 0009	Shaft ( 1 3/8" x 23" )	
PPM - 0010	Front Drive Shaft ( 1 3/8" x 17 1/2" )	P 1010
PPM0-0011	Pearman Shaft ( 1 3/16" x 13/8" )	
PPM - 0012	Pearman Shaft ( 1 3/8" x 13/8" )	P 2139
PPM - 0013	Sprocket <b>WITH</b> Hub	P 0027
PPM - 0014	Lilliston Blade	60-07-605
PPM - 0015	Lilliston Blade	60-07-606
PPM - 0016	Sprocket, 60341	P 1011
PPM - 0017	Sprocket, 23 T ( small )	P 1048
PPM - 0018	Idle Arm	1PNSI
PPM - 0019	Bushing ( 3/4" Pipe, 3" Turndown to 1" )	
PPM - 0020	Pearman 1.75" Nut	
PPM - 0021	Hub	
PPM - 0022	1" Rim	P1FR
PPM - 0023	2" Rim	P2FR
PPM - 0024	Plain Rim	PRRIM
PPM - 0025L	Top Inverting Rod ( left )	2051
PPM - 0025R	Top Inverting Rod ( right )	2052
PPM - 0026R	Inverting Rod	P 2005 RH
PPM - 0026L	Inverting Rod	P 2006 LH
PPM - 0027	Clips	P 0075
PPM - 0028	Springs	P 1004
PPM - 0029	KMC Blade	
PPM - 0030	Pearman Digger Chain <b>WITH</b> Hook	OTV
PPM - 0031	Pearman Digger Chain, <b>PLAIN</b>	XN
PPM - 0032	Plain Digger Links	
PPM - 0033	Hook Digger Links	
PPM - 0034	Roller Links	P 121038
PPM - 0035	650-10-10-8	
PPM - 0036	Female Elbow ( 450-10-8 )	
PPM - 0037	920-10-8-8	
PPM - 0038	LNA400-10-8	

HYDRAULIC HOSES LENGTHS AND FITTINGS FOR PEANUT WAGON  
 July 2003  
 SSS



Black Cylinder

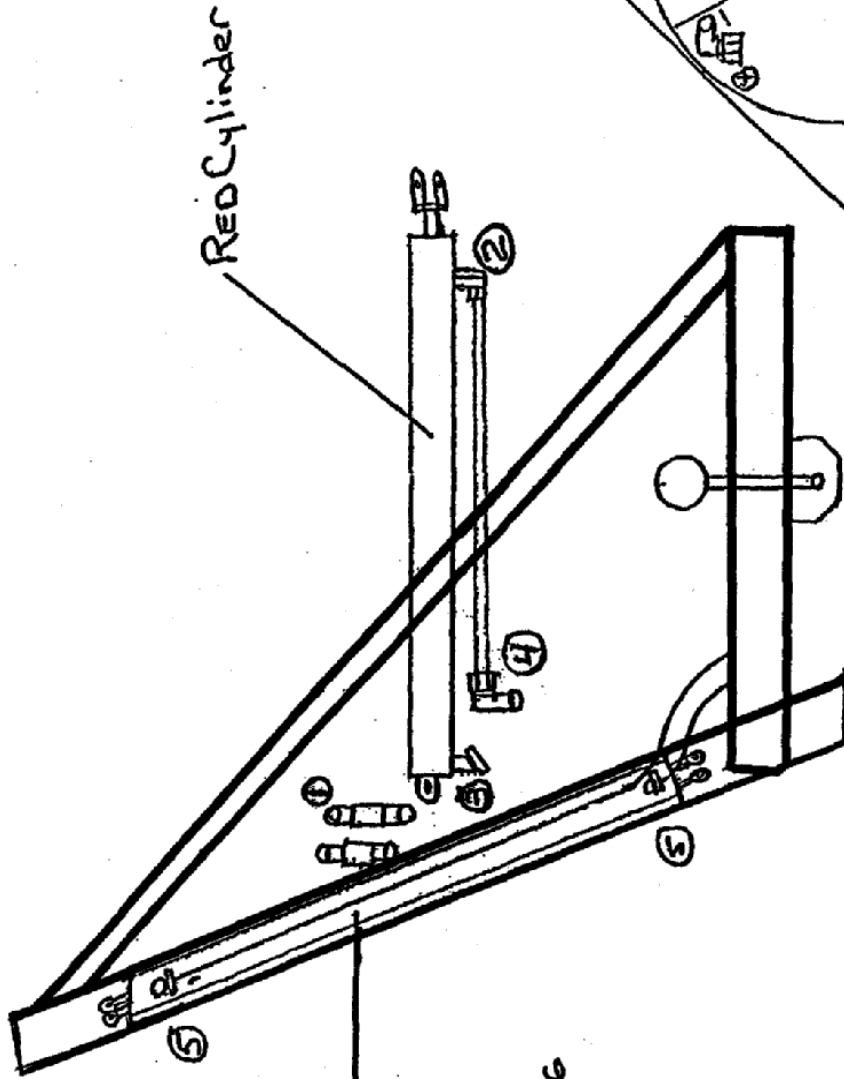
Red Cylinder

Hose Connections Bottom of Wagon.

- A. 4. 3/8 hose 240" 8mpx - 8mpx
- B. 2. 3/8 hose 37" 8mp - 8mp
- C. 2. 3/8 hose 27" 8mp - 8mp
- D. 2. 3/8 hose 36" 8mpx - 8mpx
- E. 2. 3/8 hose 112" 8mpx - 8mpx

HYDRAULIC FITTINGS FOR PEANUT WAGONS July 2003  
3/33

Front Side  
 View



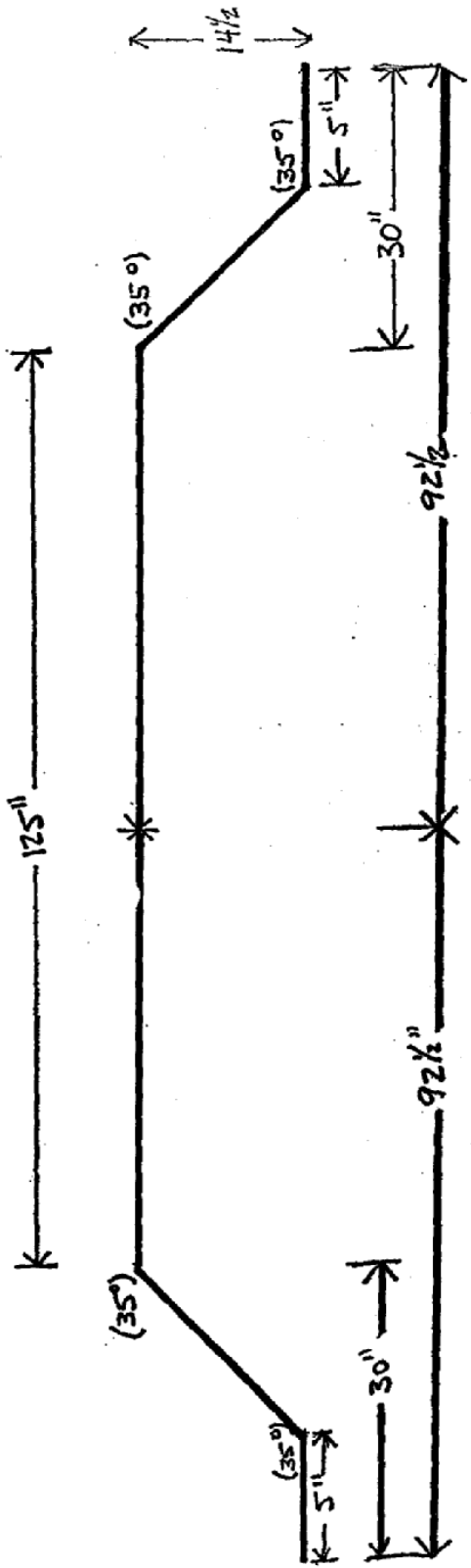
Fittings For  
 Bottom Side of  
 Peanut Wagon

Black  
 Cylinder

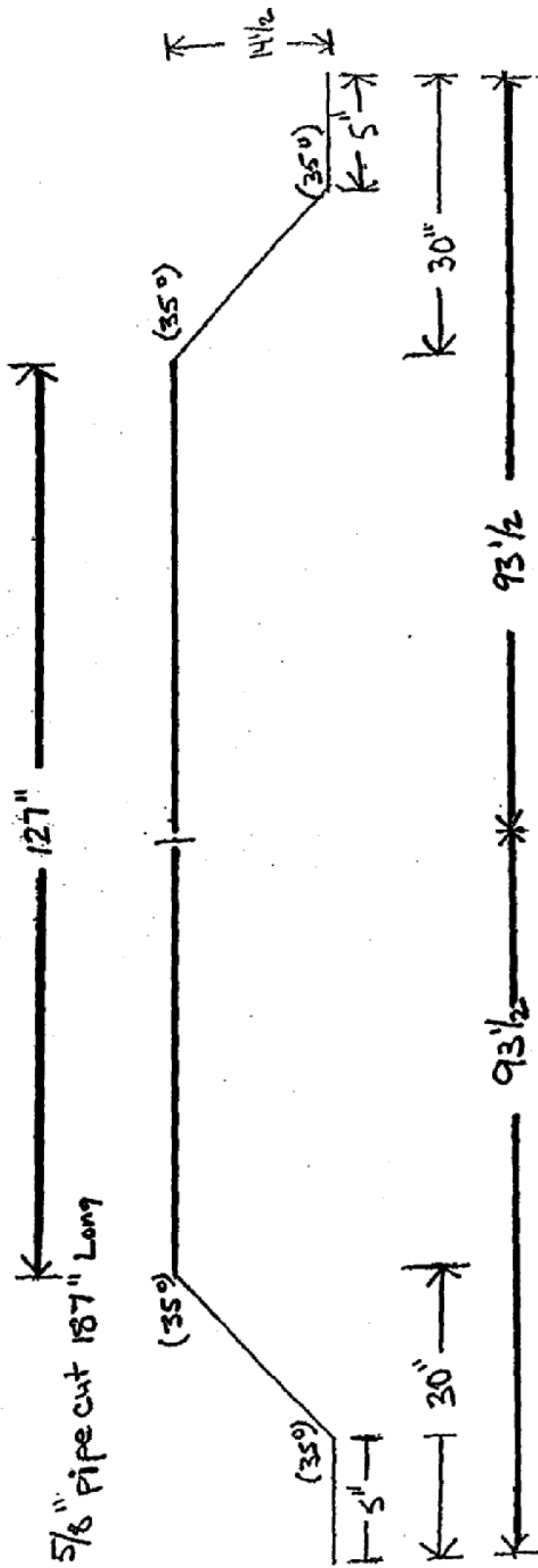
- 1- 920 - 10
- 2- A400 - 10 - 8 ORING
- 3- 8MB - 8FP x 45°
- 4- 450 - 10
- 5- 8MB - 8FPX 90°
- 6- 650 - 10

7/8" PIPE Cut 185" Long

①



② 5/8" Pipe cut 187" Long



July 2 2003