

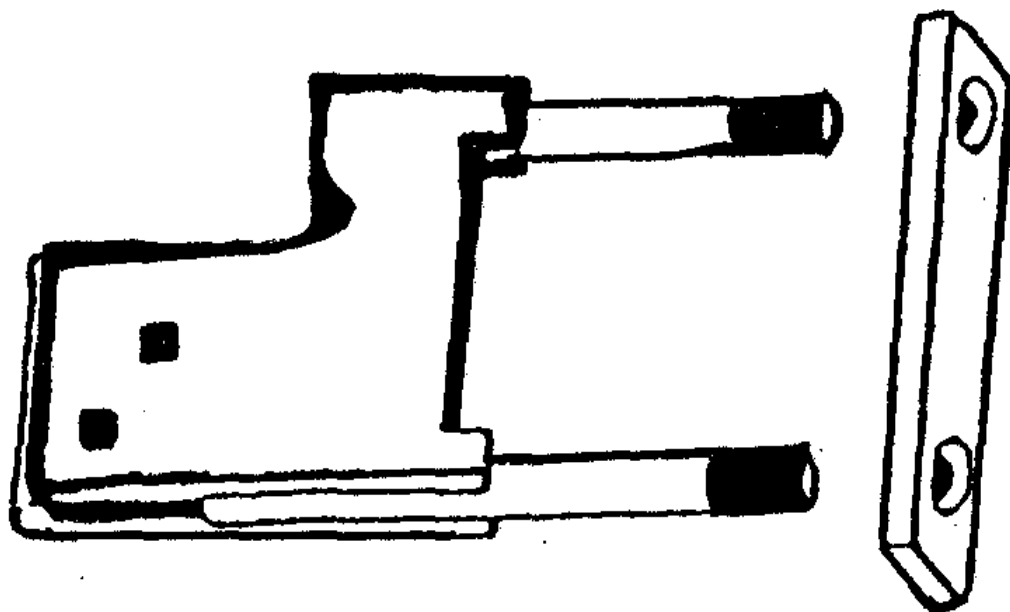
SAM STEVENS INC.

2101 Lubbock Hwy.
Lamesa, Texas 79331

MANUFACTURER OF QUALITY FARM EQUIPMENT

Phone: 806-872-8365

Fax: 806-872-8368



MAX - EMERGE CLAMP

SAM STEVENS INC.2101 Lubbock Hwy.
Lamesa, Texas 79331

MANUFACTURER OF QUALITY FARM EQUIPMENT

Phone: 806-872-8365

Fax: 806-872-8368

SHANKS AND CLAMPS

PART NO.	DESCRIPTION	WEIGHT
SHK - 9001	1 x 3 Shank 20" Long	17 lbs.
SHK - 9002	1 x 3 Shank 30" Long WITH Steel Foot Piece, OLD STYLE	33 lbs.
SHK - P023	1 x 3 Shank 30" Long WITH Steel Foot Piece, NEW STYLE	
SHK - 9003	1 x 3 Shank 30" Long WITH Cast Foot Piece, OLD STYLE	32 lbs.
SHK - 9004	1 x 3 Shank 30" Long WITHOUT Foot Piece	26 lbs.
SHK - 9005	1 x 3 Shank 40" Long WITH Foot Piece	41 lbs.
SHK - P027	1 x 3 Shank 40" Long WITH Foot Piece, NEW STYLE	
SHK - 9006	1 x 3 Shank 40" Long WITHOUT Foot Piece	34 lbs.
SHK - 9007	1 x 3 Shank, Offset 30" Long WITH Foot Piece	41 lbs.
	*** OFFSET, 7 1/2, SPECIFY RIGHT OR LEFT PAIR ***	
SHK - P029	1 x 3 Shank, Offset 30" Long WITH Foot Piece, OLD STYLE	
	*** OFFSET, 7 1/2, SPECIFY RIGHT OR LEFT PAIR ***	
SHK - P030	1 x 3 Shank, Offset 30" Long WITH Foot Piece, NEW STYLE	
	*** OFFSET, 7 1/2, SPECIFY RIGHT OR LEFT PAIR ***	
SHK - 9008	1 X 3 Shank Offset to the Rear WITH Foot Piece	41 lbs.
SHK - 031	1 X 3 Shank Offset to the Rear WITH Foot Piece, OLD STYLE	
SHK - 032	1 X 3 Shank Offset to the Rear WITH Foot Piece, NEW STYLE	
SHK - 009	Foot Piece for 1 x 3 Shank, STEEL	7-1/2 lbs.
SHK - 010	Foot Piece for 1 x 3 Shank, CAST	7 lbs.
SHK - 025	Foot Piece, ONLY, NEW STYLE	
SHK - 026	Foot Piece, ONLY, OLD STYLE	
SHK - 011	3/4 x 2 1/2 Shank 30" Long WITH Foot Piece	20 lbs.
SHK - 012	5/8 x 2 Shank, 20" Long WITH Foot Piece	
SHK - 013	5/8 x 2 Shank, 30" Long WITH Foot Piece	15 lbs.
SHK - 014	05 Foot Piece for 5/8 Shank or 3/4 Shank	3 1/2 lbs.
SHK - 015	1 3/8 Shank WITH Foot Piece	
SHK - 016	Ripper Shank WITH Shank	
SHK - 017	Ripper Shank Clamp to Bolt to 2 Bars	
SHK - 018	Cast Lister Beam WITH Foot Piece	
SHK - 023	Cast Lister Beam Foot Piece, ONLY	
SHK - 024	I - Bolt for Cast Lister Beam	
SHK - 025	Lister Beam WITH Shank & Foot Piece (1 1/2" x 4" x 34")	
SHK - 026	Foot Piece for Lister Beam Shank	
SHK - 027	Clamp for Lister Beam Shank (4 x 4, 4 x 7, 5 x 7 or 7 x 7)	
SHK - 028	Cap for Lister Beam Shank Clamps (4", 5" or 7")	
SHK - 019	Spring Loaded 1 3/8 Ripper Shank Clamp for 4 x 4	
SHK - 020	1 x 8 Straight Ripper Shank	
SHK - 021	4 x 4 to 4 x 4 Clamp	
SHK - 022	Rub Angle WITH Hard Surface for 1 x 8 Chisle Shank	

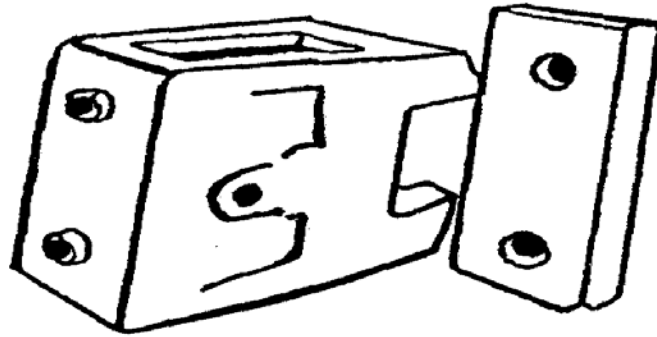
SAM STEVENS INC.

2101 Lubbock Hwy.
Lamesa, Texas 79331

MANUFACTURER OF QUALITY FARM EQUIPMENT

Phone: 806-872-8365

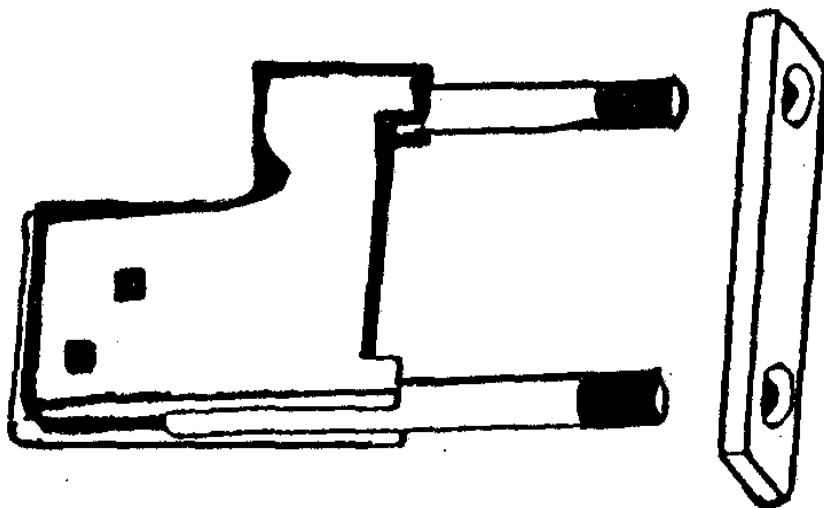
Fax: 806-872-8368



CAST STEEL CLAMP FOR 1 X 3 SHANK
DESCRIPTION

PART NO.	DESCRIPTION	WEIGHT
CSC - 1022	4" x 4" Clamp for 1 x 3 Shank	15 lbs.
CSC - 1023	4" x 6" Clamp for 1 x 3 Shank	15 lbs.
CSC - 1024	4" x 7" Clamp for 1 x 3 Shank	15 lbs.
CSC - 1025	3/4" Flat Steel Strap for Cast Clamps	4 lbs.
CSC - 1026	3/4" Flat Strap for 7 x 7 Bar (long)	7 lbs.
CSC - 1027	3/4" Heavy Duty Cast Cap	
CCB - 1028	Cast Clamp Body	

MAX - EMERGE CLAMP



MMD - 116	Max - Emerge Clamp for 1 x 3 Shank to 7 x 7 Bar	26 lbs.
-----------	---	---------

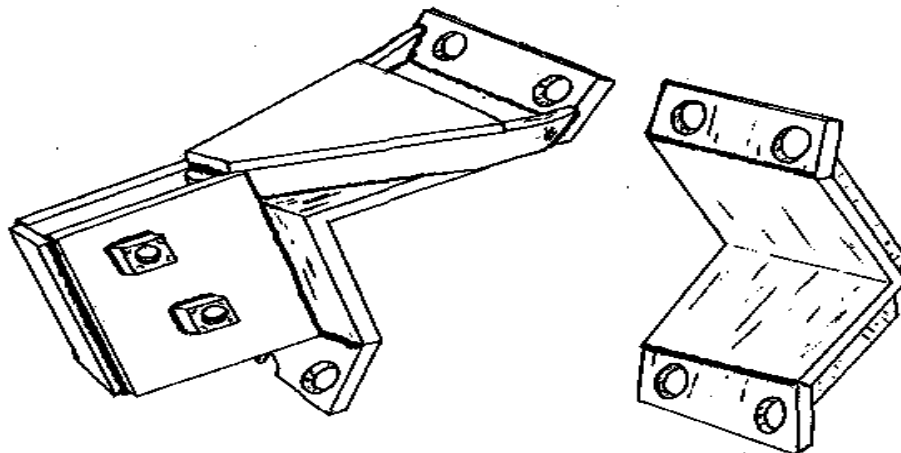
SAM STEVENS INC.

2101 Lubbock Hwy.
Lamesa, Texas 79331

MANUFACTURER OF QUALITY FARM EQUIPMENT

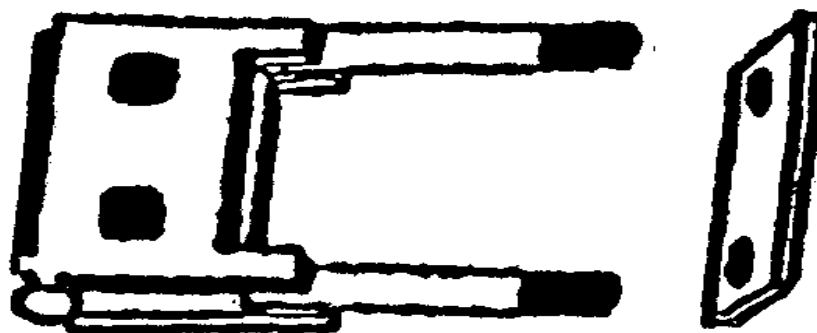
Phone: 806-872-8365

Fax: 806-872-8368



STEEL CLAMP FOR 1" x 3" SHANK

PART NO.	DESCRIPTION	WEIGHT
CLMP - 1001	4" x 4" Flat Clamp WITH Set Screws	25 lbs.
CLMP - 1002	4" x 7" Flat Clamp WITH Set Screws	29 lbs.
CLMP - 1003	4 1/2" x 7 1/2" Flat Clamp WITH Set Screws	29 lbs.
CLMP - 1004	5" x 7" Flat Clamp WITH Set Screws	29 lbs.



STEEL CLAMP FOR 1" x 3" SHANK

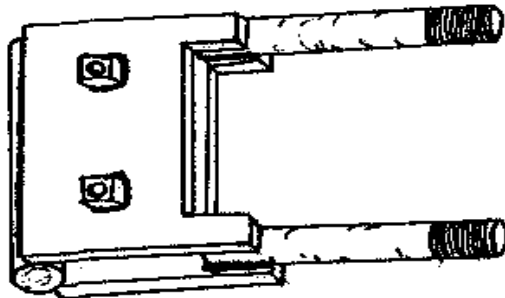
PART NO.	DESCRIPTION	WEIGHT
CLMP - 1005	2 1/4" Lite Duty "C" Clamp for 1 x 3 Shank	24 lbs.
CLMP - 1006	4" x 4" Lite Duty "C" Type Clamp for 1 x 3 Shank	20 lbs.
CLMP - 1007	4" x 7" Lite Duty "C" Type Clamp for 1 x 3 Shank	21 lbs.
CLMP - 1008	4 1/2" x 7 1/2" Lite Duty "C" Clamp for 1 x 3 Shank	24 lbs.
CLMP - 1009	5" x 7" Lite Duty "C" Clamp for 1 x 3 Shank	
CLMP - 1010	7" x 7" Lite Duty "C" Clamp for 1 x 3 Shank	28 lbs.
CLMP - 1011	7" x 7" Body, ONLY for 1 x 3 Shank	

SAM STEVENS INC.

2101 Lubbock Hwy.
Lamesa, Texas 79331

MANUFACTURER OF QUALITY FARM EQUIPMENT

Phone: 806-872-8365 Fax: 806-872-8368



C - CLAMP FOR 5/8" x 2" SHANK

C - CLAMP FOR 3/4" X 2 1/2" SHANK

PART NO.	DESCRIPTION	WEIGHT
CLMP - 1012	2 1/4" "C" Clamp for 5/8 x 2 Shank	17 lbs.
CLMP - 1013	4" x 4" "C" Clamp for 5/8 x 2 Shank	15 lbs.
CLMP - 1014	4" x 7" (4 x 6) "C" Clamp for 5/8 x 2 Shank	16 lbs.
CLMP - 1015	4 1/2" x 7 1/2" "C" Clamp for 5/8 x 2 Shank	16 lbs.
CLMP - 1016	5" x 7" "C" Clamp for 5/8 x 2 Shank	17 lbs.
CLMP - 1017	7" X 7" "C" Clamp for 5/8 x 2 Shank	22 lbs.
CLMP - 1018	4" x 4" "C" Clamp for 3/4" x 2 1/2" Shank	15 lbs.
CLMP - 1019	4" x 7" "C" Clamp for 3/4" x 2 1/2" Shank	16 lbs.
CLMP - 1020	4 1/2" x 7 1/2" "C" Clamp for 3/4 x 2 1/2" Shank	16 lbs.
CLMP - 1021	5" x 7" " C" Clamp for 3/4" x 2 1/2" Shank	17 lbs.
CLMP - 1022	7" x 7" " C" Clamp for 3/4" x 2 1/2" Shank	22 lbs.
CLMP - 1030	1 x 3 Clamp WITH U-Bolt	

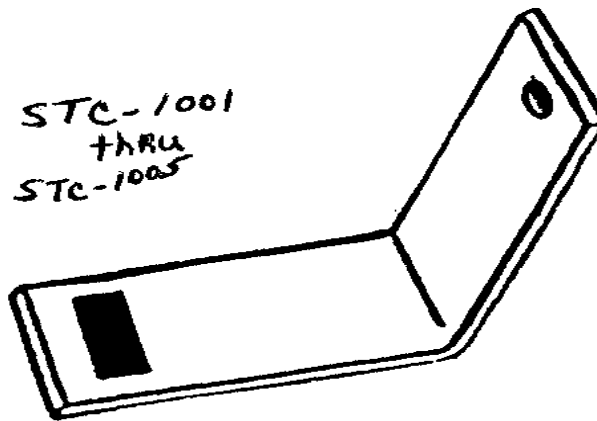
SAM STEVENS INC.

2101 Lubbock Hwy.
Lamesa, Texas 79331

MANUFACTURER OF QUALITY FARM EQUIPMENT

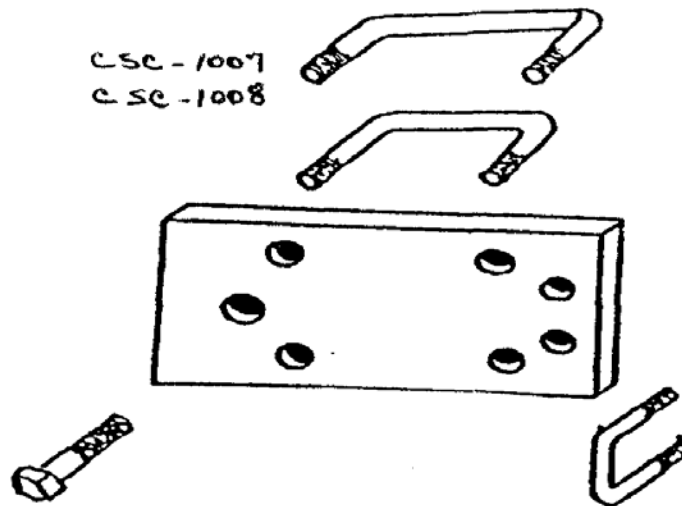
Phone: 806-872-8365

Fax: 806-872-8368



SPRINGTOOTH CLAMPS

PART NO.	DESCRIPTION		WEIGHT
STC - 1001	2" Springtooth Clamp	{ 1/2" x 3 1/2" Bolt }	2 lbs.
STC - 1002	2 1/2" Springtooth Clamp	{ 1/2" x 4" Bolt }	2 lbs.
STC - 1003	3" Springtooth Clamp	{ 1/2" x 4-1/2" Bolt }	2 lbs.
STC - 1004	3 1/2" Springtooth Clamp	{ 1/2" x 5" Bolt }	2 lbs.
STC - 1005	4" Springtooth Clamp	{ 1/2" x 5 1/2" Bolt }	2 lbs.



CHISLE SHANK CLAMP

PART NO.	DESCRIPTION	WEIGHT
CSC - 1007	Chisle Shank Clamp (4" x 4")	13 lbs.
CSC - 1008	Chisle Shank Clamp (4" x 7")	13 lbs.