

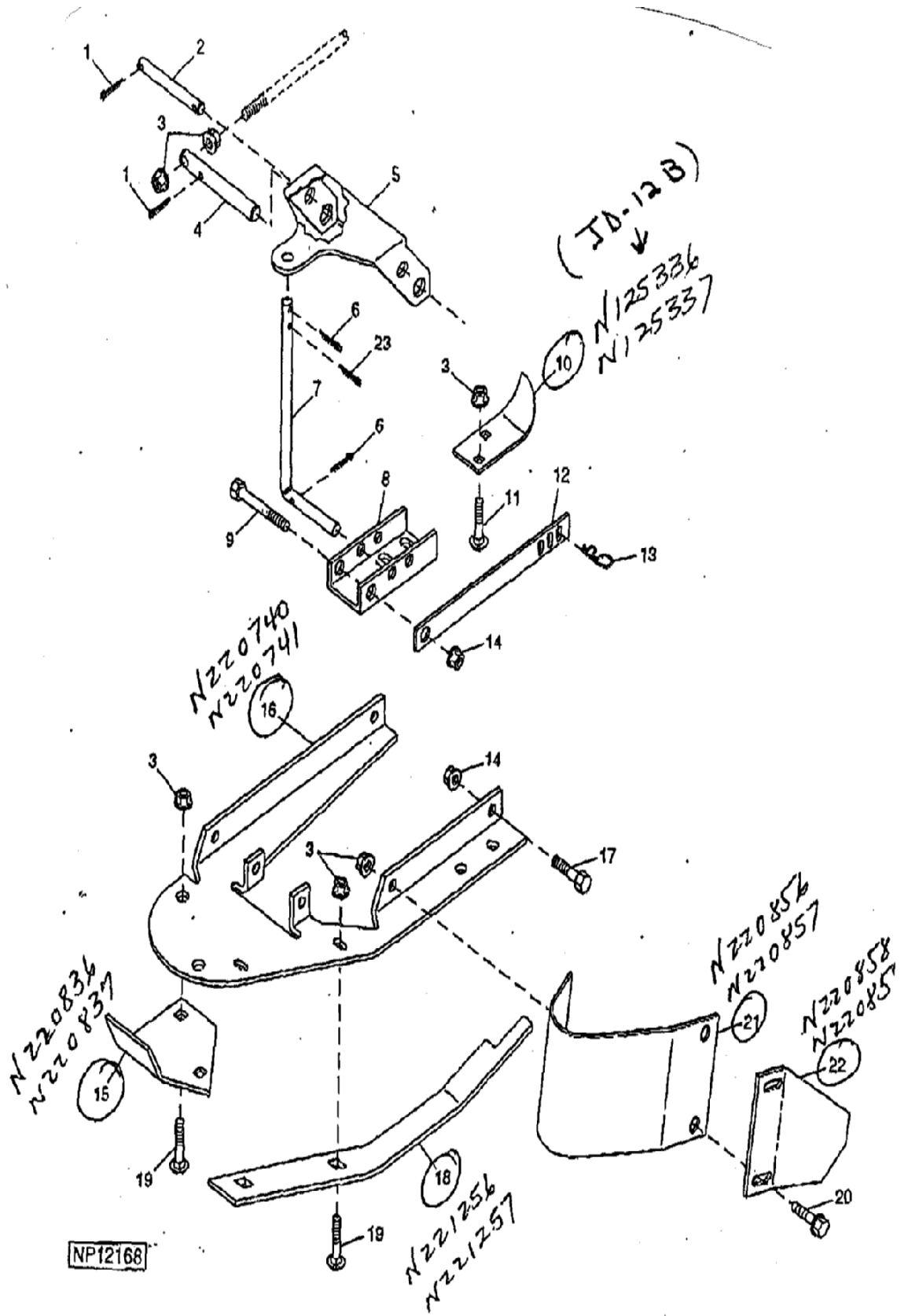
SAM STEVENS INC.

2101 Lubbock Hwy.
Lamesa, Texas 79331

MANUFACTURER OF QUALITY FARM EQUIPMENT

Phone: 806-872-8365

Fax: 806-872-8368



SAM STEVENS INC.

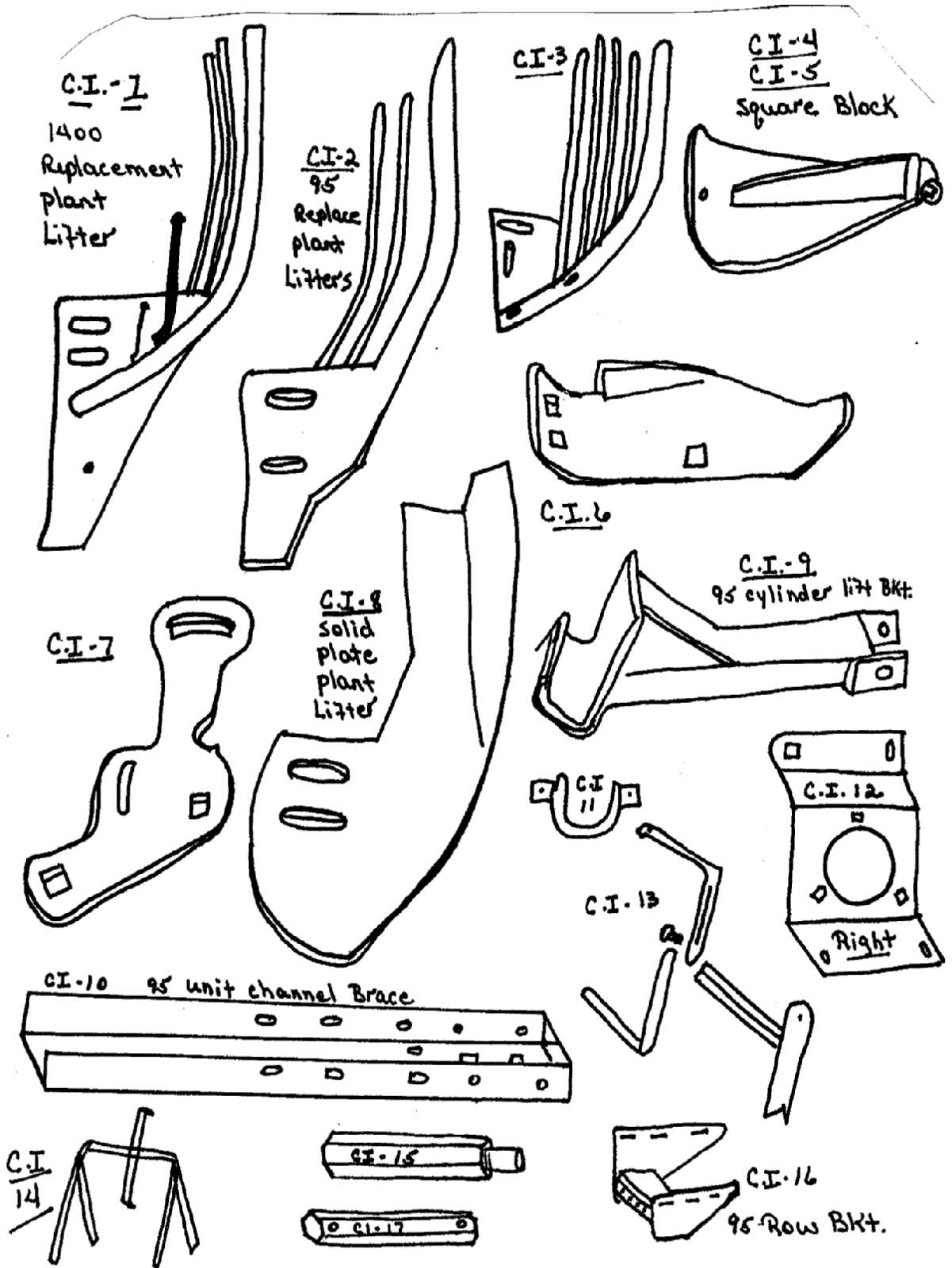
2101 Lubbock Hwy.
Lamesa, Texas 79331

MANUFACTURER OF QUALITY FARM EQUIPMENT

Phone: 806-872-8365

Fax: 806-872-8368

CASE INTERNATIONAL STRIPPER PARTS



SAM STEVENS INC.2101 Lubbock Hwy.
Lamesa, Texas 79331

MANUFACTURER OF QUALITY FARM EQUIPMENT

Phone: 806-872-8365

Fax: 806-872-8368

CASE INTERNATIONAL STRIPPER PARTS

| PART NO. | DESCRIPTION |
|-----------------|--|
| CI - 01 | 1400 Replacement Plant Lifters (<i>Right Hand</i>) |
| | 1400 replacement Plant Lifters (<i>Left Hand</i>) |
| CI - 02 | 95 Replacement Plant Lifters |
| CI - 04 | Sensor Shoe |
| CI - 06 | 1400 - 95 Sheet Skids (<i>Right Hand</i>) |
| | 1400 - 95 Sheet Skids (<i>Left Hand</i>) |
| CI - 07 | 1400 - 95 Roll Pivot Brace (universal brace) (<i>Right Hand</i>) |
| | 1400 - 95 Roll Pivot Brace (universal brace) (<i>Left Hand</i>) |
| CI - 05 B | Square Block for Replacement on Pivot Brace |
| CI - 08 | Solid Plate Plant Lifter |
| CI - 09 | 95 Cylinder Lift Bracket |
| CI - 10 | 95 Unit Channel Brace (<i>Long</i>) |
| | 95 Unit Channel Brace (<i>Short</i>) |
| CI - 11 | Circular Bearing Brace Support |
| CI - 12 | Bearing Support Plate (<i>Right Hand</i>) |
| | Bearing Support Plate (<i>Left Hand</i>) |
| CI - 15 | 1400 Top Auger Shaft |
| CI - 16 | 95 Row Bracket Unit, Arm to Cylinder (<i>Right Hand</i>) Unit |
| | 95 Row Bracket Unit, Arm to Cylinder (<i>Left Hand</i>) Unit |
| CI - 17 | Hex Shaft 1" x 12 ³ / ₄ " Shaft Cross Auger Center Shaft WITH 2 Holes for 3/8" Bolts |
| CI - 18 | Spacer: Flat Washer |
| CI - 19 | Pivot Brace |
| CI - 20 | Plant Lifter - 1800 |
| CI - 21 | Hex Shaft 1" x 53" WITH 2 Holes, One End Threaded for 1400 |
| CI - 22 | Hex Shaft 1" x 55 ¹ / ₂ " One End Threaded for 1400 |
| CI - 23 | 1" X 8" Cross Auger End Shaft WITH 2 Holes |

SAM STEVENS INC.

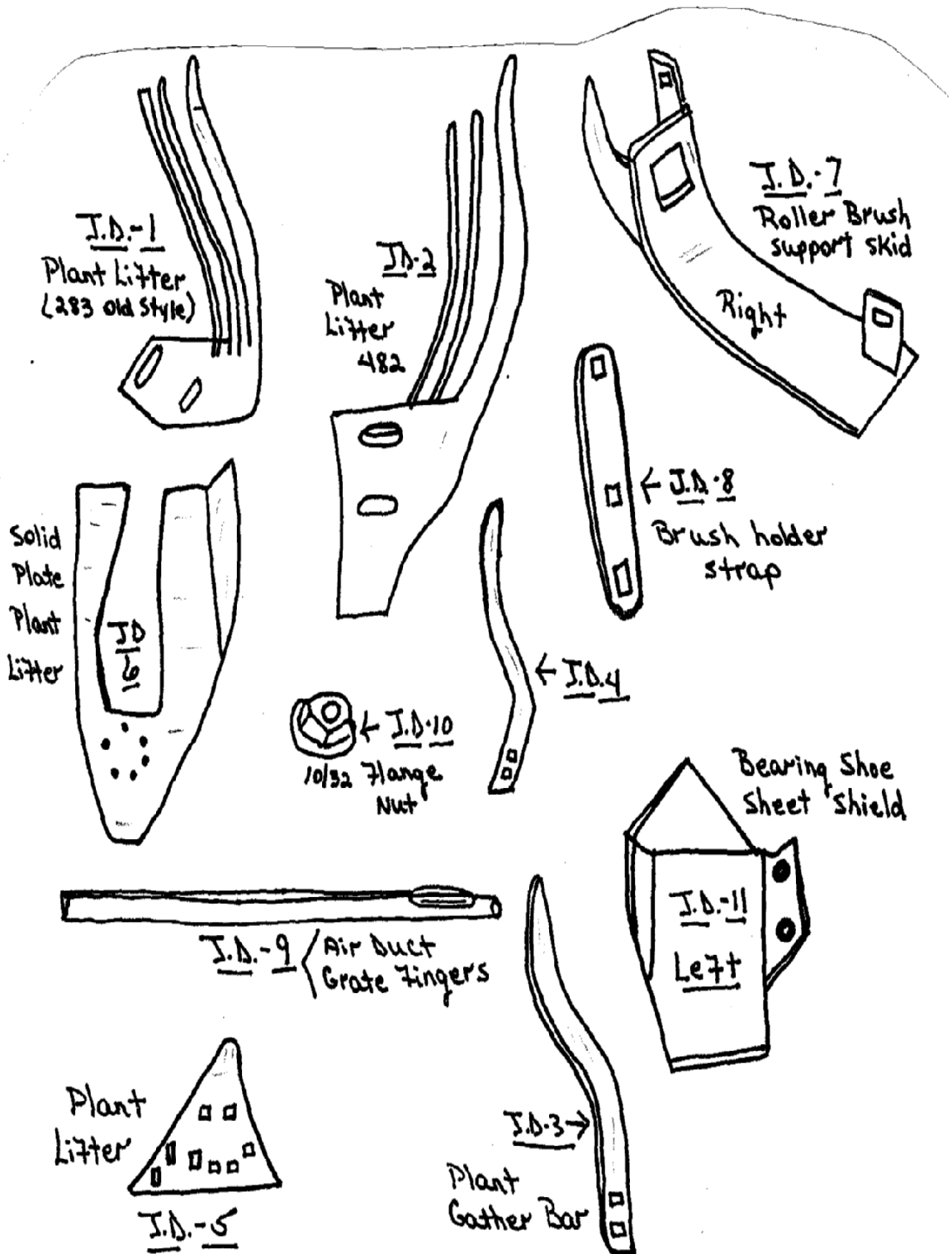
2101 Lubbock Hwy.
Lamesa, Texas 79331

MANUFACTURER OF QUALITY FARM EQUIPMENT

Phone: 806-872-8365

Fax: 806-872-8368

J.D. STRIPPER PARTS



SAM STEVENS INC.2101 Lubbock Hwy.
Lamesa, Texas 79331

MANUFACTURER OF QUALITY FARM EQUIPMENT

Phone: 806-872-8365

Fax: 806-872-8368

J.D. STRIPPER PARTS

| PART NO. | DESCRIPTION | JD NUMBER |
|-----------------|---|------------------|
| JD - 01 | 283 Old Style, One Piece Factory Replacement Plant Lifter { <i>Right Hand</i> } | AN120764 |
| | 283 Old Style, One Piece Factory Replacement Plant Lifter { <i>Left Hand</i> } | AN120765 |
| JD - 02 | 482 One Piece Factory Type Replacement Plant Lifter | |
| JD - 03 A | 1/4" 283 Plant Guide Gathering Bars { <i>Right Hand</i> } | N 125334 |
| | 1/4" 283 Plant Guide Gathering Bars { <i>Left Hand</i> } | N 125335 |
| JD - 03 B | 1/4" 484 Plant Guide Gathering Bars { <i>Right Hand</i> } | N 125762 |
| | 1/4" 484 Plant Guide Gathering Bars { <i>Left Hand</i> } | N 125763 |
| JD - 03 C | 1/4" 7445 Plant Guide Gathering Bar { <i>Right Hand</i> } | N127582 |
| | 1/4" 7445 Plant Guide Gathering Bar { <i>Left Hand</i> } | N127583 |
| JD - 03D | 484 Plant Guide Gathering Bar Made out of 5/16" Steel { <i>same as above</i> } | |
| JD - 03 E | 7445 Plant Guide Gathering Bar Made out of 5/16" Steel { <i>same as above</i> } | |
| JD - 03 F | 1/4" 7445 Plant Guide Gathering Bar | N22157 |
| JD - 03 G | 1/4" 7450 Plant Guide Gathering Bar WITH 3 Holes (RH) | N 221256 |
| | | N 221257A |
| JD - 3H | 7455 & 7460 Gathering Bar | |
| JD - 04 A | 3/16" 283 Inner Grate Bar { <i>Right Hand</i> } | N 125332 |
| | 3/16" 283 Inner Grate Bar { <i>Left Hand</i> } | N 125332 |
| JD - 04 B | 3/16" 484 Inner Grate Bar { <i>Right Hand</i> } | N 125760 |
| | 3/16" 484 Inner Grate Bar { <i>Left Hand</i> } | N 125761 |
| JD - 04 C | 3/16" 7440 Inner Grate Bar { 283 and 484 Replacement Toe for Factory Type } | |
| JD - 05 A | Plant Lifters { <i>Right Hand</i> } { 7440 Replacement Toe for Factory Type } | N125330 |
| | Plant Lifters { <i>Left Hand</i> } { 7440 Replacement Toe for Factory Type } | N 125331 |
| JD - 05 B | Plant Lifters (Universal for Right or Left) SPECIFY | N 127576 |
| JD - 06 | Solid Plate Plant Lifters { Specify 283 O.S.;, 283 N.S.; 484; 7440; 7445; 7450; or 7455 | |
| JD - 07 | 283 Roller Brush Support Skid { <i>Right Hand</i> } | AN 121122 |
| | 283 Roller Brush Support Skid { <i>Left Hand</i> } | AN 121123 |
| JD - 08 | 484 Brusher Holder Strap | N 122732 |
| JD - 09 | Air Duct Grate Fingers | N 129922 |
| | Air Duct Grate [PRICED PER 250 PIECES] | N 129922 |
| JD - 11 | Bearing Shoe Sheet Shield { <i>Right Hand</i> } | N 126962 |
| | Bearing Shoe Sheet Shield { <i>Left Hand</i> } | N 126927 |

SAM STEVENS INC.

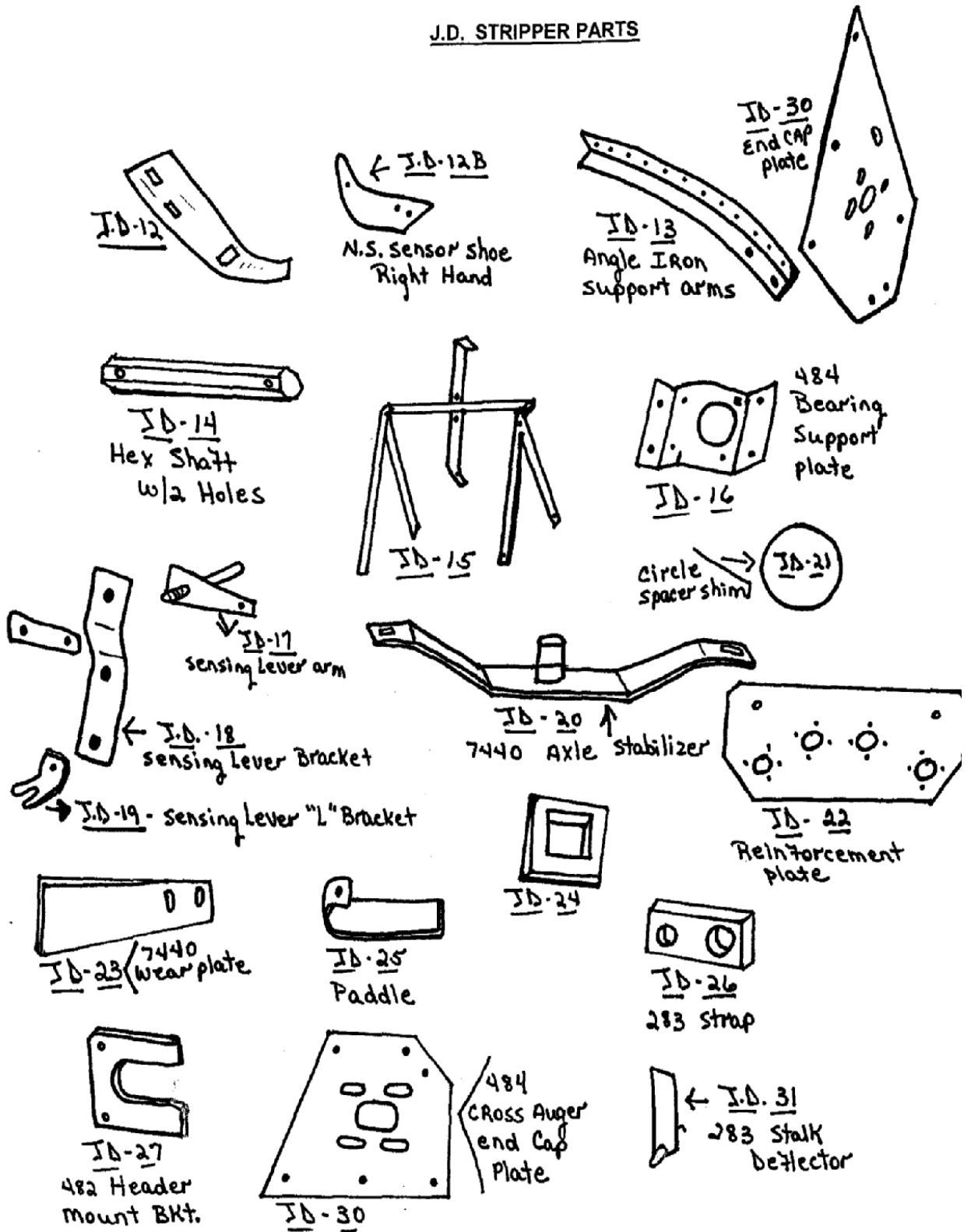
2101 Lubbock Hwy.
Lamesa, Texas 79331

MANUFACTURER OF QUALITY FARM EQUIPMENT

Phone: 806-872-8365

Fax: 806-872-8368

J.D. STRIPPER PARTS



SAM STEVENS INC.2101 Lubbock Hwy.
Lamesa, Texas 79331

MANUFACTURER OF QUALITY FARM EQUIPMENT

Phone: 806-872-8365

Fax: 806-872-8368

J.D. STRIPPER PARTS

| PART NO. | DESCRIPTION | JD NUMBER |
|-----------------|--|------------------|
| JD - 12 A | 283 Old Style Sensor Shoe { <i>Right Hand</i> } | N 123338 |
| | 283 Old Style Sensor Shoe { <i>Left Hand</i> } | N 123337 |
| JD - 12 B | 283 and 7440 New Style Sensor Shoe { <i>Right Hand</i> } | N 125336 |
| | 283 and 7440 New Style Sensor Shoe { <i>Left Hand</i> } | N 125337 |
| JD - 12 C | 482 Sensor Shoe | |
| JD - 12 D | 484 Sensor Shoe { <i>Right Hand</i> } | N 126010 |
| | 484 Sensor Shoe { <i>Left Hand</i> } | N 126011 |
| JD - 13 A | 283 Angle Iron Support Arms { <i>Right Hand</i> } | N 125326 |
| | 283 Angle Iron Support Arms { <i>Left Hand</i> } | N 125327 |
| JD - 13 B | 484 Angle Iron Support Arms { <i>Right Hand</i> } | N 125764 |
| | 484 Angle Iron Support Arms { <i>Left Hand</i> } | N 125765 |
| JD - 13 C | 7440 Angle Iron Support Arms { <i>Right Hand</i> } | N 127578 |
| | 7440 Angle Iron Support Arms { <i>Left Hand</i> } | N 127579 |
| JD - 14 | 1" x 26" Hex Shaft WITH Two Holes | |
| JD - 16 | 484 Bearing Support Plate | N 125739 |
| JD - 17 | Height Sensing Lever Arm | AN 122065 |
| JD - 18 | Height Sensing Lever Bracket | N 125162 |
| JD - 19 | Height Sensing Lever "L" Bracket | N 125161 |
| JD - 19A | Height Sensing Arm for 283 | N125160 |
| JD - 20 A | 484 and Combine Axle Stabilizer | |
| JD - 20 B | 7440 Axle Stabilizer | |
| JD - 21 | 484 Circular Spacer Shims (available in 1/32" or 1/16" or 1/8" thickness | |
| JD - 22 A | 7440 Reinforcement Plate | |
| JD - 22 B | 7440 Reinforcement Plate WITH 2 Holes | |
| JD - 22 C | 7445 Reinforcement Plate WITH 2 Holes | |
| JD - 22 D | 484 Reinforcement Plate | |
| JD - 23 | 7440 Wear Plate | N 126380 |
| JD - 24 | 13/4" Outside Square to 1" Inside Square Washer | |
| JD - 25 | Paddle (used on 740, 7440 and 7445) | N 129493 |
| JD - 26 | 283 Strap | N 123867 |
| JD - 27 | 482 Header Mount Bracket 1/4" | N 123590 - 1/4" |
| JD - 28 | 482 Header Mount Bracket 1/2" | N 123590 - 1/2" |
| JD - 29 | 283 Height Sensing Bracket | N 125160 |
| JD - 30 | 483 Cross Auger End Cap Plate | N 125526 |
| JD - 30A | Cross Auger End Cap Plate for 482 | N125526 |
| JD - 31 | 283 Stalk Deflector | AN 120246 |

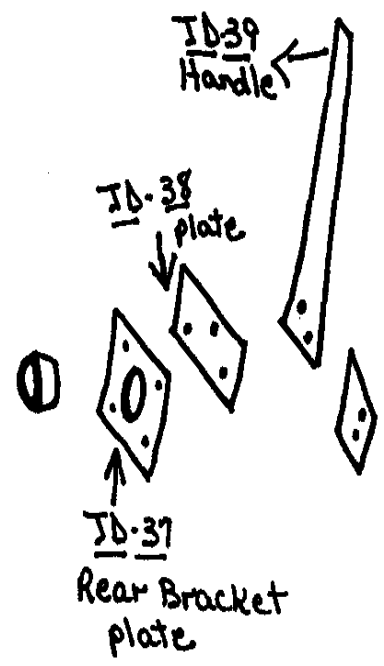
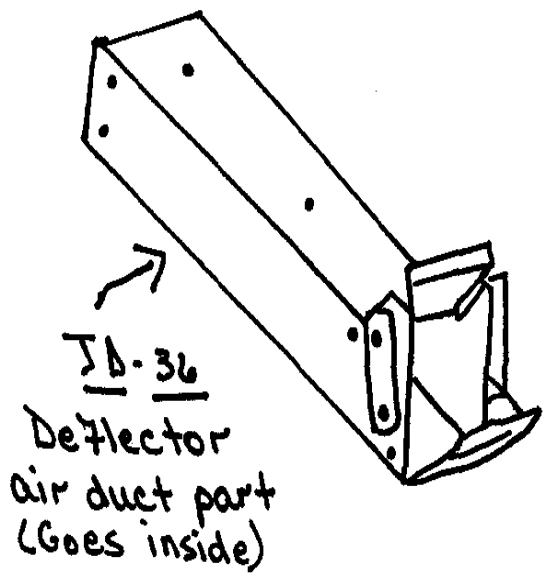
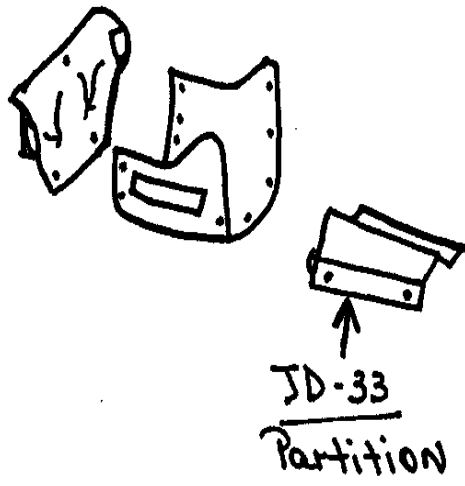
SAM STEVENS INC.

2101 Lubbock Hwy.
Lamesa, Texas 79331

MANUFACTURER OF QUALITY FARM EQUIPMENT

Phone: 806-872-8365

Fax: 806-872-8368



SAM STEVENS INC.2101 Lubbock Hwy.
Lamesa, Texas 79331

MANUFACTURER OF QUALITY FARM EQUIPMENT

Phone: 806-872-8365

Fax: 806-872-8368

J.D. STRIPPER PARTS

| PART NO. | DESCRIPTION | JD NUMBER |
|-----------------|-----------------------------------|------------------|
| JD - 32 | 482 Plate | N 123580 |
| JD - 33 | 283 Plate | N 125687 |
| JD - 35 A | 4" Spacer WITH Slot | N 125538 |
| JD - 35 B | 8" Spacer WITH Slot | N 125538 |
| JD - 36 | Air Duct Deflector | AN 123162x |
| JD - 37 | 283 Rear Bracket Plate | N 126136 |
| JD - 38 | 484 Cross Auger Plate | N 126089 |
| JD - 39 | 484 Cross Auger Handle | N 126086 |
| JD - 40 | JD 9462 1-3/8" Bearing and Collar | |
| JD - 42 | 283 Arm (Idler Arm) | N 125600 |
| JD - 43 | 7440 JD Toe | |
| JD - 44 | 283 Tie | N 125593 |
| JD - 45 | Large Dust Cover | N 125412 |
| JD - 46 | Small Dust Cover | N 126098 |
| JD - 47 | Boll Separator | |
| JD - 48 | Angle Iron WITH Flat | |
| JD - 49 | Door | |
| JD - 50 | Stripper Wrench | |
| JD - 51 | | |
| | | |
| | | |
| | | |

SAM STEVENS INC.2101 Lubbock Hwy.
Lamesa, Texas 79331

MANUFACTURER OF QUALITY FARM EQUIPMENT

Phone: 806-872-8365

Fax: 806-872-8368

COTTON STRIPPER RELATED PARTS

| PART NO. | DESCRIPTION | |
|-----------------|------------------------------------|---------------------|
| CST - P50 | Gear Wrench for 283 Stripper | (priced per each) |
| CST - P51 | 10/32 Flange Nut | (priced per 100) |
| CST - P52 | 1/4" Flange Nut | (priced per 100) |
| CST - P53 | 5/16" Flange Nut | (priced per 100) |
| CST - P54 | 3/8" Flange Nut | (priced per 100) |
| CST - P55 | 7/16" Flange Nut | (priced per 100) |
| CST - P56 | 1/2" Flange | (priced per 100) |
| CST - P57 | 10mm Flange Nut | (priced per 100) |
| CST - P58 | 3/8" x 1" Flange Bolt | (priced per 100) |
| CST - P59 | 5/16" x 1" Flange Bolt | (priced per 100) |
| CST - P060 | 5/16" X 3/4" Grade 5 Carriage Bolt | (priced per 100) |
| CST - P061 | 5/16" x 1" Grade 5 Carriage Bolt | (priced per 100) |
| CST - P062 | 3/8" x 3/4" Grade 5 Carriage Bolt | (priced per 100) |
| CST - P063 | 3/8" x 1" Grade 5 Carriage Bolt | (priced per 100) |
| CST - P064 | 1/2" x 1" Grade 5 Carriage Bolt | (priced per 100) |
| CST - P065 | 3/8" x 1 1/2" Socket Set Screw | (priced per 100) |
| CST - P066 | 10 x 40 mm Set Screws | (priced per 100) |
| CST - P067 | 3/16" x 2" Roll Pin | (priced per 100) |
| CST - P068 | 5/16" x 2" Roll Pin | (priced per 100) |
| CST - P069 | Steel Trash Brush 20" | (priced per each) |
| CST - P070 | Steel Trash Brush 10" | (priced per each) |
| CST - P071 | Bearing Cup | (priced per each) |