

SAM STEVENS INC.2101 Lubbock Hwy.
Lamesa, Texas 79331

MANUFACTURER OF QUALITY FARM EQUIPMENT

Phone: 806-872-8365

Fax: 806-872-8368

CTU BOLT LIST

QUANTITY	SIZE	LOCATION
150	1/2" X 1 1/2" Grade 5 Hex Bolt	Panel Assembly
300	1/2" Flat Washer	Panel Assembly
8	1/2" Hex Nut	Tongue
142	1/2" Flange Nuts	Panel Assembly
4	3/4" x 3" Grade 8 Hex Bolt	Tongue
23	3/4" x 2 1/2" Grade 5 Hex Bolt	Packer Panel & Tongue
2	1 1/4" x 5 1/2" Locknut	Packer Panel
2	1 1/4" Locknut	Packer Panel
36	3/8" x 1 1/4" Flange Bolt	Clips for Hydraulic Tubing
6	3/8" x 3" Cotter Key	Cylinder Pin
8	7/8" x 2 1/2" Lockwasher	Axle
8	7/8" Nut	Axle
8	7/8" Lockwasher	Axle
4	3/4" x 2" Grade 8 Hex Bolt	Cylinder Pin
16	3/4" x 2" Grade 5 Hex Bolt	Main Frame / Braces
9	3/4" Locknut	Packer Panel / Cylinder Pins
20	3/4" Flatwasher	Packer Panel
38	3/4" Nut	Packer Panel / Tongue Frame
38	3/4" Lockwasher	Packer Panel / Tongue Frame
6	3/16" x 3" Cotter Key	Swing Cylinder
2	5/16" x 1 1/2" x 1 1/2" U-Bolt	Hyd. Pressure Box
4	5/16" Flange Nut	Hyd. Pressure Box
6	2 1/8" Wide Rim Machine Washers	2" Pivot Pin
2	1/8" Black 90 Degree Elbow	Pivot Point
2	1/8" Black 45 Degree Elbow	4 x 60 Cylinder
2	1/8" x 2 1/2" Black Nipple	Pivot Point
2	1/8" Black Coupling	Pivot Point
4	1 1/4" Flat Washer	Top Cylinder Pins
4	1" Flat Washer	Bottom Cylinder Pins

SAM STEVENS INC.2101 Lubbock Hwy.
Lamesa, Texas 79331

MANUFACTURER OF QUALITY FARM EQUIPMENT

Phone: 806-872-8365

Fax: 806-872-8368

CTU INFORMATION

YEAR		MISCELLANEOUS INFORMATION
1994	NVG Series	Weld on Axel
1995	NXH Series	Weld on Axel
1996	NSI Series	
1997	NE Series	WITH 1 1/4" Top Cylinder Pin
1998	NNE Series	New Height WITH 1 1/4" Top Cylinder Pin
1999	NEN Series	New Swing, 1/2" Plate
2000	TZZ Series	
2001	TZZ Series	Few 873 Hub
2002	TOT Series	873 Hub
2003	TOT Series	TOT 3400 and 873 Hub
		3-1/2" x 11.75 Inside Bushing, ONLY
2004	TOF Series	Length of CTU 237"
		Cylinder N.D.
		1 1/4" x 5 1/2" Grade 8 Bolt
		3 1/2" x 11.75 Bushing Inside & Outside 4 7/8 (Unless ND Cylinders were used)
2005	TOV	Length of CTU 237"
		Cylinder N.D.
		4 x 60 N.D. and Cross
		3 1/2" x 11 1/2" Cross Cylinder
		3" x 20" Cross
2006	ZZS	Length of CTU 237"
		Belting Under Basket
		New 4 x 60 N.D. Cylinder
		5/16" Wall on 8 x 10 Tubing
		Brace on Packer
2007	TOS	
2008	TOE	
2009	TOE 7326	

SAM STEVENS INC.

2101 Lubbock Hwy.
Lamesa, Texas 79331

MANUFACTURER OF QUALITY FARM EQUIPMENT

Phone: 806-872-8365

Fax: 806-872-8368

COTTON VACUUM



SAM STEVENS INC.

2101 Lubbock Hwy.
Lamesa, Texas 79331

MANUFACTURER OF QUALITY FARM EQUIPMENT

Phone: 806-872-8365

Fax: 806-872-8368

COTTON VACUUM



SAM STEVENS INC.2101 Lubbock Hwy.
Lamesa, Texas 79331

MANUFACTURER OF QUALITY FARM EQUIPMENT

Phone: 806-872-8365

Fax: 806-872-8368

COTTON VACUUM

PART NO.	DESCRIPTION
CTV - 0500	Cotton Vacuum (<i>Not Installed</i>)
CTV - 0501	Cotton Vacuum (<i>Installed on SS CTU</i>)
CTV - 0502	Fan, ONLY (blast wheel)
CTV - 0530	Shaft 1 11/16" x 1 43/4" Key ways
CTV - 0532	Fan Mounting Bracket
CTV - 0514	Fan Housing, ONLY (scroll)
CTV - 0520	Upper Chute
CTV - 0521	Lower Chute
CTV - 0515	Pillow block Bearing 1 11/16" w/ Housing (PL3Y227N)
CTV - 0504	Safety Cover
CTV - 0505	25 Foot 8" Hose (clear hose)
CTV - 0507	8" Pipe WITH Handle, Wide, 42" Long
CTV - 0509	8" Clamp, Wide, for Vac. Hose
CTV-509A	8" Hose Clamp
CTV - 0506	Brackets for Suction Hose
CTV - 0503	Hydraulic Motor (M3100A795PLA07-32)
CTV - 0516	Hydraulic Seal (3000-5)
CTV - 0525	Seal Kit (62499)
CTV - 0519	Bearing for Motor (5839)
CTV - 0529	Shaft for Hydraulic Motor (DC0024L307)
CTV - 0523	Seal Retainer (ZD.0558)
CTV - 0508	Key for Motor (0332)
CTV - 0524	Washer: (ZD.0558)
CTV - 0510	1 L150 x 1" STD 1/4KW Hub LJ
CTV - 0511	1 L150 x 1-11/16" Hub
CTV - 0512	1 L 150 Urctham Spider LJ
CTV - 0532A	1063-px70 Flange Assembly
CTV - 0533	11107-px70 Element
CTV - 0534	117071-1.688 Bushing
CTV - 0535	117159-1.000 Bushing
CTV - 0513	Hydraulic Hose 1/2" x 15' for Hydraulic Motor
CTV - 0536	Hydraulic Hose 1/2" x 12" for Hydraulic Motor
CTV - 0537	Hydraulic Hose 1/4" x 17" for Hydraulic Motor
CTV - 0518	1/2" Check Valve
CTV - 0531	1/4" Check Valve
CTV - 0532B	4 - Way Female Cross
CTV - 0540	1/2 to 1/2 Male Nipple
CTV - 0541	1/4 to 1/4 Male Nipple
CTV - 0528	Fitting, 8mp-8mp-8fp Tee
CTV - 0542	Fitting, 8mp-4fp Bushing
CTV - 0527	Fitting Female to NPTF Male Tee

*** Note **Uses 15 -18 Gallon per minute of hydraulic oil** ***

SAM STEVENS INC.2101 Lubbock Hwy.
Lamesa, Texas 79331

MANUFACTURER OF QUALITY FARM EQUIPMENT

Phone: 806-872-8365

Fax: 806-872-8368

CTU PARTS

PART NO.	DESCRIPTION (for 871 hub)
CTU - P001	871 Hub (2891410), COMPLETE (for 871 hub)
CTU - P002	Seal - CR30087 (for 871 hub)
CTU - P003	Cap (for 871 hub)
CTU - P004	Bearing - 39585 (for 871 hub)
CTU - P005	Timkin - #460 (for 871 hub)
CTU - P006	Spindle (31/8" x 173/8") (for 871 hub)
CTU - P007	Hex Slot Nut (for 871 hub)
CTU - P008	Washer (for 871 hub)
CTU - P009	Race - # 453 (for 871 hub)
CTU - P010	Race - # 39520 (for 871 hub)
CTU - P011	3/4" Lug Bolt (for 873 hub)
CTU - P012	3/4" Flange Nut (for 873 hub)
CTU - P013	873 Hub, COMPLETE (for 873 hub)
CTU - P014	Race - # 33462 (for 873 hub)
CTU - P009	Race - 453 (for 873 hub)
CTU - P016	Bearing - # 33275 (for 873 hub)
CTU - P005	Timkin - #460 (for 873 hub)
CTU - P018	Seal - CR33772 (for 873 hub)
CTU - P017	Spindle (33/8" x 173/8")
CTU - P012	3/4" Flange Nut
CTU - P019	Wheel (26 x 16)
CTU - P020	Tire 18-4-26 (10awt)
CTU - P021	Tire 18-4-26 (12 Ply)
CTU - P022	1 pr. 3" Rollers WITH Bearings and Pin
CTU - P023	One U-Bracket for Rollers
CTU - P024	Brace Under Rollers
CTU - P218	11/8" Bearing for Roller (WB218EL)
CTU - P025	CTU Hitch Coupler
CTU - P025C	Caldwell Bulldog Hitch for Caldwell Wagon
CTU - P026	CTU Hitch Repair Kit
CTU - P027	Trade in old Coupler WITH plate for new one
CTU - P028	Tongue Plate WITH Holes
CTU - P029	25/16" Ball WITH 11/4" Shank
CTU - P030	25/16" Ball WITH 11/4" Shank and Plate
CTU - P031	25/16" Ball WITH 13/8" Shank
CTU - P032	25/16" Ball WITH 13/8" Shank and Plate
CTU - P033	25/16" Ball WITH 11/2" Shank
CTU - P034	25/16" Ball WITH 11/2" Shank and Plate
CTU - P035	25/16" Ball WITH 11/2" Shank WITH 2" Bushing
CTU - P036	25/16" Ball WITH 11/2" Shank WITH 2" Bushing and Cat IV Plate
CTU - P037	Tongue for CTU, COMPLETE , with Rollers, Plate and Coupler
CTU - P038	Tongue, ONLY , No Jack, NO Coupler
CTU - P039	Clip, ONLY
CTU - P040	Long Pipe Brace (priced per pair)
CTU - P041	Short Pipe Brace (priced per pair)
CTU - P049	Sway Brace Turnbuckle, ONLY
CTU - P042	Belting (229 - 20")
CTU - P043	Belting for L237 (261 - 20")
CTU - P043A	Belting Under the Floor (3" - 239")
CTU - P044	Rub Angle
CTU - P045	Flat WITH Holes, (to Hold belt on CTU)
CTU - P046	Packer Panel

SAM STEVENS INC.2101 Lubbock Hwy.
Lamesa, Texas 79331

MANUFACTURER OF QUALITY FARM EQUIPMENT

Phone: 806-872-8365

Fax: 806-872-8368

CTU PARTS CONTINUED

PART NO.	DESCRIPTION
CTU - P047	Packer Arms (ask for right hand or left hand)
CTU - P048	3/4" X 16" Threaded Rod WITH Ring and two 3/4" Nuts
CTU - P054	2" hinge Pin for Basket
CTU - P055	15" Panel for Top of the Tall Side
CTU - P056	15" Panel for Top of the Tall Side, INSTALLED
CTU - P057	New Jack WITH Clips
CTU - P057A	Foot of Jack
CTU - P057B	Pin with Chain for CTU Jack (1996-2003)
CTU - P058	Big Box WITH 871 Spindles (Part of 2003 - current)
CTU - P058A	Small Box WITH 871 Spindles
CTU - P058B	Small Box WITH 873 Spindles
CTU - P059	120" Axle WITH Hub and Spindle
CTU - P060	160" Axle WITH Hub and Spindle
	" NOT ADJUSTABLE "
CTU - P061	Wide Axle (160" Center to Center) EXCHANGE
CTU - P061C	Wide Axle, Installation
CTU - P068	Install Belting on Frame of CTU
CTU - P069	Install Flat under Floor

****** CONVERTING A STRAIGHT TONGUE TO A SWING TONGUE ********SWING PARTS FOR NEN '99 or NEWER MODELS**

Two Rollers and Pins, One Cylinder,
Two Hydraulic Lines, Two 96" Hoses, Plugs,
Two Short Hoses, Five Clips and Bolts and
One 90 Degree Connector

CTU - P064	PARTS ONLY
CTU - P065	PARTS AND INSTALLATION

NEW SWING KIT PARTS

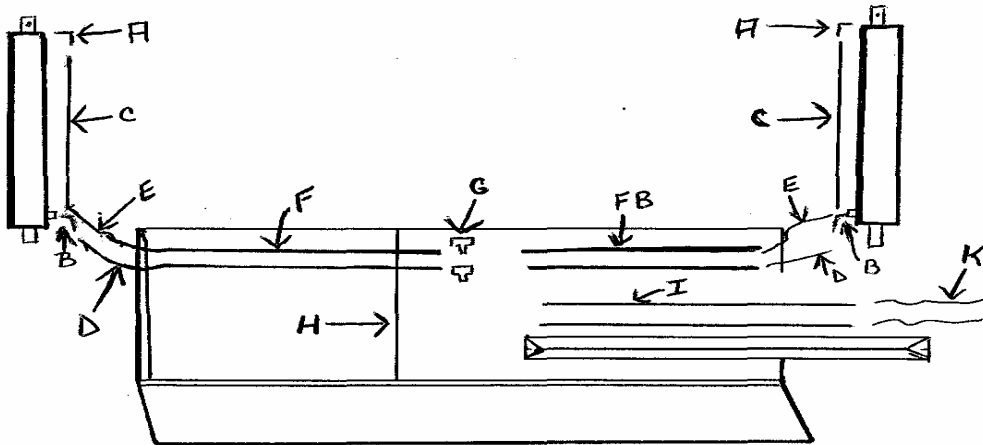
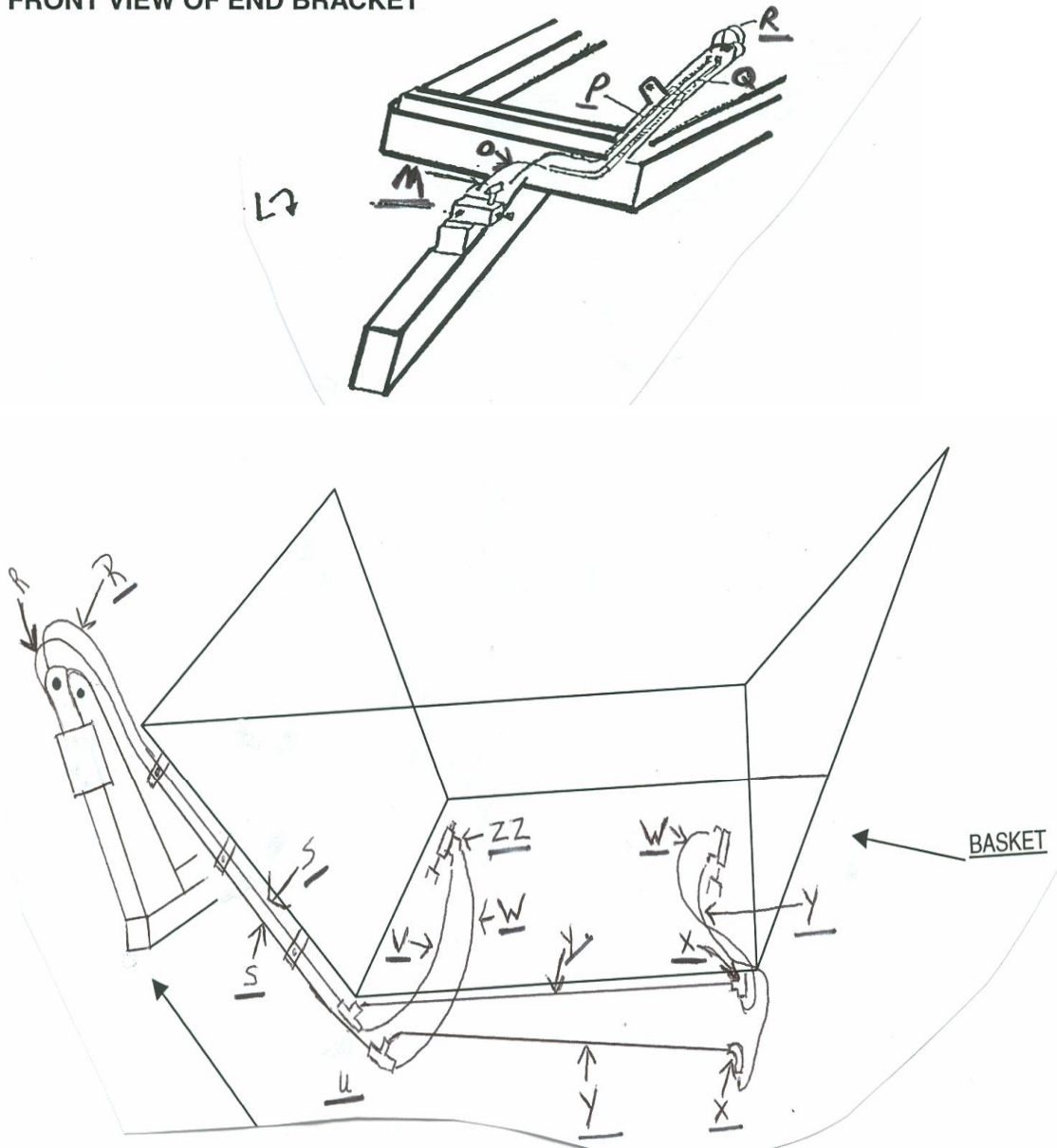
1/2" Big Plate, 1/2" Plate **WITH** 8 holes and
angle, 1/2" Plate **WITH** 4 Holes and Bolts,
Two 5/8" Straps, One 1/2" x 4" x 4" Angle,
One 13" x 12" Gusset, One 9" x 9" Gusset,
One 5" x 5" Gusset, Two 3" x 3" Gussets,
One 60" Hose, One 58" Hose, Two Short
Hoses, Five Clips and Bolts, One 90 Degree
Connector, Two JD Plugs and One Cylinder

CTU - P066	PARTS ONLY
CTU - P067	PARTS AND INSTALLATION

BIG BASKET CYLINDERS**PARTS******** When ordering use Part No. then A for old style or B for New Style**

PART NO.	ITEM NO.	DESCRIPTION
CTU - P099	A	O-Ring, 90 Degree Elbow (#40088)
CTU - P100	B	Adaptor (8MB-6FP90)
CTU - P101	C	1/2" Hyd. Tubing, 60" Long
CTU - P102	D	3/8" Hose, 32" Long (6MP-MFA)
CTU - P103	E	3/8" Hose, 37" Long (MFA-MFA)
CTU - P158	F	1/2" Hyd. Tubing, 99" Long
CTU - P158FB	FB	1/2" Hyd. Tubing, 112" Long
CTU - P106	G	Tee (# 650886)
CTU - P107	H	3/8" Hose, 48" Long (6MP-MFA)
CTU - P159	I	1/2" Hyd. Tubing, 165" Long
CTU - P081	J - K	3/8" Hose, 96" Long (8MP-MFA)
CTU - P081	L	3/8" Hose, 96" Long (8MP-MFA)
CTU - P082	M	T-Male to NPTF Female Run Tee (8MP-8FPT)
CTU - P083	MM	T-Female to NPTF Male Tee (8FP-8FP-8MPT)
CTU - P084	N	Relief Valve (RD1850) (not set to right pressure)
CTU - P084B		Washer for Relief Valve # 67145
CTU - P101	O	3/8" Hose, 48" (8MP-MFA)
CTU - P087	O	3/8" Hose, 58" (8MP-MFA)
CTU - P088	O	3/8" Hose, 60" (8MP-MFA)
CTU - P153	P	1/2" Hyd. Tubing, 138 1/2" Long
CTU - P154	Q	1/2" Hyd. Tubing, 146" Long
CTU - P091	R	3/8" Hose, 40" Long (MFA-MFA)
CTU - P155	S	1/2" Hyd. Tubing, 110" Long
CTU - P093	U	Female Run Tee (# 800868)
CTU - P094	V	3/8" Hyd. Hose, 56" Long (6MP-6MP)
CTU - P095	W	3/8" Hyd. Hose, 72" Long (6MP-6MP)
CTU - P096	X	Female (45086)
CTU - P156	Y	1/2" Hyd. Tubing, 180" Long
CTU - P098	ZZ	Adaptor (8MP-6FP90)
CTU - P051		Grease Line, 1/4" Hose, 100" Long (4-2MP, 4-4MP)
CTU - P052		Grease Line, 1/4" Hose, 162" Long (4-2MP, 4-4MP)
CTU - P143		Bulkhead Coupler (w21204 or w05465)
CTU - P162		1/4" Grease Fitting
CTU - P113		1" Cylinder Pin, 7 1/2"
CTU - P160		1" Cylinder Pin, 4 1/2" and 5 1/2" Inside the Holes
CTU - P117		1 1/4" Cylinder Pin
CTU - P161		1 1/4" Pin Tongue, Axle Pin
CTU - P072		MFA - 6G8MFA Fitting
CTU - P073		6 - 6MP Hydraulic Fitting
CTU - P074		6 - 8MP Hydraulic Fitting
CTU - P075		4 - 2MP Hydraulic Fitting
CTU - P076		4 - 4MP Hydraulic Fitting
CTU - P077		Sleeve (71658) for 1/2" Hyd. Tubing
CTU - P078		Nut (71058) for 1/2" Hyd. Tubing
CTU - P079		Tapered Split Ring (1658)
CTU - P080		Nut for Tapered Ring (2058)

FRONT VIEW OF END BRACKET



CTU Basket Cylinder

SWING HITCH PARTS

DESCRIPTION

PART NO.	ITEM NO.	
CTU - P131	AA	1/2" Hyd. Tubing, 105" Long (5" Bended)
CTU - P132	AB	1/2" Hyd. Tubing, 105" Long (9" Bended)
CTU - P133	AC	Fitting (8MP-6FPX90)
CTU - P134	AD	3/8" Hose, 28" Long (6MP-MFA)
CTU - P135	AE	3/8" Hose, 16" Long (8MP-MFA)
CTU - P081	AF	3/8" Hose, 96" Long (8MP-MFA)

